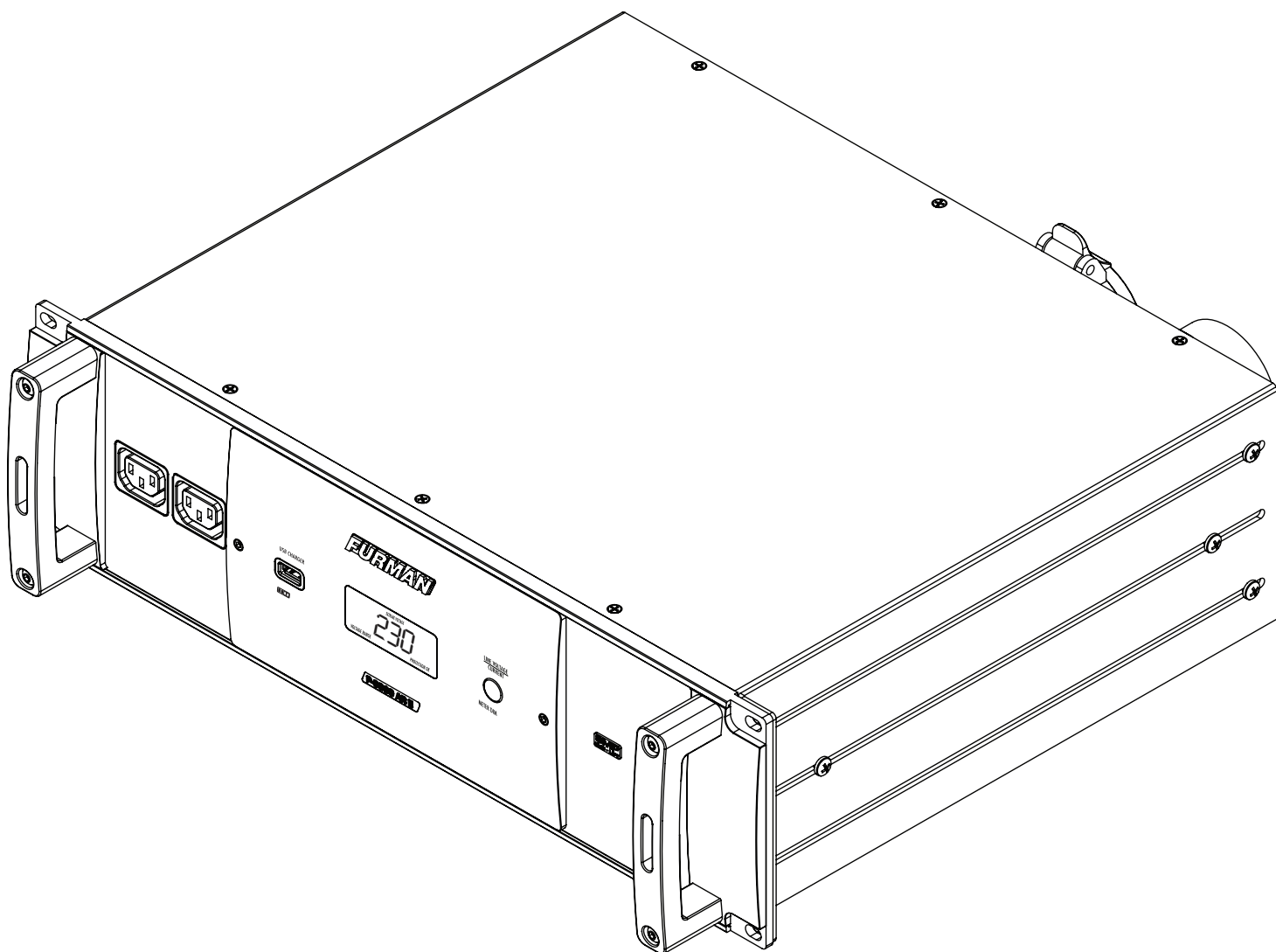


# **FURMAN**

## **P-6900 AR E POWER CONDITIONER**

CONDITIONNEUR D'ALIMENTATION P-6900 AR E / P-6900 AR E ACONDICIONADOR DE ENERGÍA  
P-6900 AR E NETZSCHUTZGERÄT / ПРОВОДНИК СИЛЫ P-6900 AR E

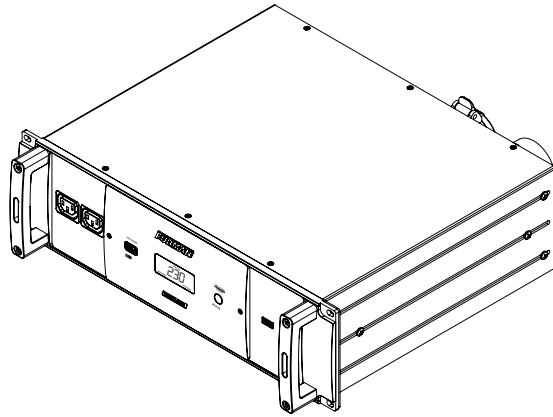


## **PRESTIGE SERIES OWNER'S MANUAL**

SÉRIE PRESTIGE GUIDE DE L'UTILISATEUR / SERIE PRESTIGE MANUAL DEL PROPIETARIO  
PRESTIGE REIHE HANDBUCHTEXT / КПРЕДПРИНИМАТЕЛИ СЕРИИ ПРЕСТИЖНОСТИ РУЧНЫЕ



# FURMAN®



**ENGLISH**  
Page 4

**P-6900 AR E OWNER'S MANUAL**



**FRANÇAIS**  
Page 12

**P-6900 AR E GUIDE DE L'UTILISATEUR**



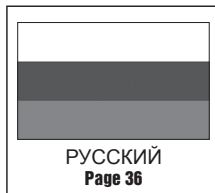
**ESPAÑOL**  
Page 20

**P-6900 AR E MANUAL DEL PROPIETARIO**



**DEUTSCH**  
Page 28

**P-6900 AR E HANDBUCHTEXT**



**РУССКИЙ**  
Page 36

**P-6900 AR E ТЕКСТ ИНСТРУКЦИИ ПО ЭКСПЛУАТАЦИИ**

### FURMAN P-6900 AR E FEATURES

- **True RMS Voltage Regulation** - A 30 amp ultra-low noise toroidal autoformer with microprocessor control
- **SMP** (Series Multi-Stage Protection) with **EVS** (Extreme Voltage Shutdown)
- **LiFT** (Linear Filtering Technology) with zero ground contamination
- Nine total regulated, filtered and protected rear panel AC outlets and two front panel convenience outlets
- 230V or 240V output (switchable)
- Dimmable/Switchable true RMS digital ammeter and laboratory precise voltmeter
- Tri-color voltage range indicator (complements numerical voltage reading - even when viewed at a distance from the display)
- Front panel USB connector charges most portable media devices and cell phones
- 30 amp (6900 watt) maximum current capacity
- C-form male inlet and 30A outlet (C-form female cord-end connector included)
- Five year limited warranty

### INTRODUCTION

Thank you for purchasing a Furman Prestige Series Voltage Regulator/Power Conditioner, and congratulations on your choice. The Prestige Series P-6900 AR E features Furman's True RMS Voltage Regulation, Series Multi-Stage Protection (SMP) circuit, and our exclusive Linear Filtering Technology (LiFT). Together, these technologies comprise precisely what our customers have grown to expect from Furman: uncompromised protection and purification. The P-6900 AR E has been precisely engineered to more than meet the critical demands of sound reinforcement, recording studios, broadcast facilities, remote A/V work, and discerning musicians alike.

The Furman P-6900 AR E is intended to protect sensitive electronic equipment from problems caused by AC line voltage irregularities—brownouts or over-voltages that can cause audio tonal changes, digital equipment malfunction (such as loss of MIDI programs or other data), or, in extreme cases, permanent damage. It accepts input voltages over a wide AC voltage range and converts them to a steady, stable output of either 230V or 240V (switchable), plus or minus 10 volts. Voltages approximately  $\pm 10\%$  beyond the capture range may be converted to usable levels, depending on the requirements of the equipment. This stable voltage protects equipment and allows optimal performance. If you frequently move your rack to different locations, derive power from generators, use excessively long extension cords, travel internationally, or are in an area prone to brownouts, you will benefit greatly from the use of a Furman P-6900 AR E.

### DESCRIPTION

#### ***True RMS Voltage Regulation Technology***

True RMS Voltage Regulation is designed around an ultra-low noise eight-tap toroidal autoformer. A microprocessor within the P-6900 AR E monitors the incoming RMS voltage with each cycle, measuring the phase angle in time with the advancing cycle. Most commercial voltage regulators using multiple-tapped transformers switch taps at uncontrolled times. This creates voltage spikes and clicks that can leak into audio. When a voltage fluctuation requires correction by the P-6900 AR E, True RMS Voltage Regulation advances a new tap with less stress and in turn avoids distortion to the AC waveform. Hysteresis in the P-6900 AR E circuits avoids the unnecessary switching back and forth between the adjacent taps (or "chatter") found in many commercial voltage regulators. If necessary, True RMS Voltage Regulation technology can switch taps as often as once each cycle and do so with a shorter recovery time than a commercial voltage regulator. In addition, and unlike voltage regulators that employ ferro-resonant transformers, the P-6900 AR E is not sensitive to small errors in line frequency, making it ideal for use with generators.

The P-6900 AR E has nine receptacles on the rear panel and two convenience receptacles on the front panel. All are functionally interchangeable in terms of voltage regulation, protection and filtering. However, there are differences in the current that can pass through them. Two front panel and six rear panel IEC 320 female receptacles can provide up to 10 amps capacity; two IEC C-19 female receptacles provide up to 16 amps capacity; and one C-Form female receptacle provides 30 amps capacity (no combination of the eleven receptacles can supply more than 30 amps). Additionally, the autoformer's toroidal design assures minimal leakage of stray magnetic fields.

Note: P-6900 AR E is for use with AC voltage only. DC voltages should never be applied. Also, it does not change or regulate line frequency. The output frequency will always be the same as the incoming frequency.

#### ***SMP (Series Multi-Stage Protection) with EVS (Extreme Voltage Shutdown)***

Furman's SMP (Series Multi-Stage Protection) surge suppression virtually eliminates service calls and costly "down time". Traditional surge suppression circuits sacrifice themselves when exposed to multiple transient voltage spikes, requiring the dismantling of your system and repair of your surge suppressor. Not so with Furman's SMP. With SMP, damaging transient voltages are safely absorbed,

clamped, and dissipated. Your connected equipment is protected, while your P-6900 AR E protects itself!

Unique to Furman's SMP is its unparalleled clamping voltage. While other designs offer clamping voltages that are well above 600 Vpk, Furman's SMP clamps at 375 Vpk, (266 VAC) even when tested with multiple 6000 Vpk - 3000 amp surges! This unprecedented level of protection is only available with Furman's SMP technology. Additionally, Furman's trusted EVS (Extreme Voltage Shutdown) circuitry protects against catastrophic overvoltage conditions (such as all-too-frequent accidental connections to 300+ VAC or an intermittent neutral) by shutting off the incoming power until the overvoltage condition is corrected and the power switch is reset.

### ***LiFT (Linear Filtering Technology)***

Furman's Linear Filtering Technology (LiFT) reduces AC line noise in an even, linear manner across a very wide bandwidth, resulting in a lower noise floor. Traditional AC filter - conditioners have been designed for unrealistic laboratory conditions - whether multiple pole filters or conventional series mode, prior technologies could actually harm audio and video performance more than they help, due to the resonant peaking of their antiquated, non-linear designs. Under certain conditions, these designs can actually add more than 10 dB of noise to the incoming AC line! Worse still, lost digital data, the need to re-boot digital pre-sets, or destroyed digital converters are frequently caused by excessive voltage spikes and AC noise contaminating the equipment ground. Furman's LiFT takes a different approach, ensuring optimal performance through linear filtering with no contamination, or leakage, to ground.

### ***Additional Features***

Additionally, the P-6900 AR E offers a laboratory precision dual function digital meter that displays incoming voltage in 1-volt steps and performs as a RMS ammeter measuring current to one tenth of an amp. The voltmeter's accuracy is  $\pm 2.0$  volts and features a tri-color voltage range indicator. This informs the user whether voltage is in or out of a safe range. The ammeter accurately measures current draw for an instant analysis of system requirements. The accuracy of the current measurement for the ammeter is better than  $\pm 0.5A$ .

The P-6900 AR E is equipped with eleven regulated outlets; two front panel convenience AC outlets and nine rear panel outlets. All rear panel outlet banks are electrically isolated from each other to minimize cross-talk between components.

The P-6900 AR E's 30 amp capacity is supplied from a C-form male inlet connector with a cord-end female C-form included (standard).

## **SAFETY INFORMATION**

To obtain best results from your Furman P-6900 AR E, please read this manual carefully before using.

### ***WARNING***

To reduce the risk of electrical shock, do not expose this equipment to rain or moisture. Dangerous high voltages are present inside the enclosure. Do not remove the cover. Refer servicing to qualified personnel only.

### ***IMPORTANT SAFETY INSTRUCTIONS***

*(Please read prior to installation)*

1. Please read and observe all safety and operating instructions before installing your P-6900 AR E. Retain these instructions for future reference.
2. Your P-6900 AR E should not be used near water – for example, near a bathtub, washbowl, kitchen sink, laundry tub, in a wet basement, or near a swimming pool.
3. Do not place your P-6900 AR E near high heat sources such as radiators, heat registers, stoves, or other appliances that produce extreme heat.
4. Route the AC power cord and other cables so that they are not likely to be walked on, tripped over, or stressed. Pay particular attention to the condition of the cords and cables at the plugs, and the point where they exit your Furman conditioner. To prevent risk of fire or injury, damaged cords and cables should be replaced immediately.
5. Clean your P-6900 AR E with a damp cloth only. Do not use solvents or abrasive cleaners. Never pour liquid on or into the unit.
6. This unit shall not be exposed to dripping or splashing liquids and no objects filled with liquids shall be placed on the apparatus
7. This unit shall be connected to a MAINS socket outlet with a protective earthing connection.

8. Your P-6900 AR E should be serviced by qualified service personnel when:

- The power supply cord or the plug has been frayed, kinked, or cut.
- Objects have fallen or liquid has spilled into the unit.
- The unit has been exposed to rain or extreme moisture.
- The unit does not appear to operate normally.
- The "Protection OK" indicator is not lit.
- The unit has been dropped, or the enclosure has been damaged.

9. Connecting your P-6900 AR E to a grounded AC service outlet is highly recommended. Though not necessary for the product to function, it will help to avoid any possibility of electrical shock if connected equipment fails for any reason.

10. Do not attempt to service your P-6900 AR E beyond what is described in this manual. All other servicing should be referred to qualified service personnel.

## INSTALLATION

Because of the toroidal transformer design, the Furman P-6900 AR E may be positioned near most other equipment without fear that the other equipment will be disrupted by leakage of a strong 50/60 Hz magnetic field (50Hz is recommended for best operation). Nevertheless, suggested rack locations would be either at the top or bottom.

As with any rackmount equipment, be sure to use 10-32 machine screws for mounting in the rack's tapped holes (this is not a metric size). In particular, beware of 10-24 screws, which may fit if forced but which will strip the threads. To avoid marring the front panel finish, use plastic washers under the screw heads.

### **Rear Rack Mounting:**

If you are installing the P-6900 AR E in a rack that has rear as well as front mounting rails, you may easily secure it to the rear of your rack. Simply remove the securing screws from the side and front portions of the P-6900 AR E's adjustable rear rack ear and reinforcement side plate (located on either chassis side), reverse it and re-attach to the P-6900 AR E chassis. (See Figure 1.a, page 10)

## OPERATION

### **Voltage Selection Switch:**

The voltage selection switch is only read by the regulator during power up. Once the regulator is active, this switch has no effect on the output voltage. If the user desires to change the output voltage, adjust the switch to the desired setting and cycle power to the regulator.

### **Dimmable/Switchable Digital Voltage and True RMS Current Meter:**

Furman's laboratory precision AC digital voltmeter continually measures incoming voltages within a typical tolerance of +/-2.0VAC. It should be noted that the voltage reading is determined by the incoming AC source.

The Furman true RMS current meter constantly measures the total circuit AC load, with a typical tolerance of +/-0.5 amp. Because the meter features True RMS technology, the current readings are accurate regardless of load conditions (capacitive, inductive, or resistive).

To switch between voltage and current, press the button labeled "Line Voltage/Current". To change the display intensity, hold this button down for two seconds to cycle through the 3 stages of brightness.

### **Voltage Range Indicator:**

This tri-color Voltage Range indicator is located in the lower left corner of the digital voltage meter lens assembly. When the incoming AC voltage is within a capture range of 180-260V (230V output setting – 190-270 @ 240V output setting) the tri-color indicator will be green (optimal), indicating the unit is in regulation. However, if the regulator encounters a temporary transient condition the indicator will turn amber (caution). This amber indication appears when there are excessive changes or sudden swings at the input (+/-20 volts). If the incoming voltage is beyond the P-6900 AR E capture range (see above), the indicator will turn red. Red warnings indicate the incoming voltage is far from optimal and beyond the capture range offering a constant 230V (or 240V switchable). In this condition, the P-6900 AR E will continue to regulate from the last tap of the autoformer, providing an output voltage as close to 230V (or 240V) as possible (e.g. an input voltage of 180V would equate to 221V at output – in the 230V switched output setting). When employing the P-6900 AR E in mission critical applications where 230V is the primary concern, the red indication is invaluable.

**Ultra-Low Resistance Magnetic Power Switch / Circuit Breaker:**

Furman's Prestige Series 30 amp capacity power switch / circuit breaker is specifically designed to stand up to the enormous high in-rush current demands of many power amplifiers. If the 30 amp maximum RMS current capacity of the P-6900 AR E is exceeded, the spring tensioned switch will immediately reset to the "0" position. You will need to switch back to the "1" position once the problem is corrected (typically by eliminating one component), or until the RMS current does not exceed 30 amps (6900 watts @ 230VAC).

**Total Current Capacity (maximum and minimum load):**

The P-6900 AR E can handle loads totaling up to 30 amperes as long as the input voltage is equal to or above 230 volts (or; 240V with the 240V output setting). For voltages below that level, its capacity must be de-rated at approximately 130 milliamperes per volt. (See graphs on back page.) As a practical matter, therefore, to cope successfully with worst-case brownout conditions, you should plan your total load so that it does not exceed approximately 25 amps, or 5800 watts. Please note that this refers to the aggregate power requirement of all equipment plugged into the P-6900 AR E, not to each individual item.

**Extreme Voltage Shutdown Indicator:**

The Extreme Voltage LED indicator is normally off. It is located within the meter lens assembly directly above the blue voltage meters LED's, though during normal use it will NOT be visible.

The Extreme Voltage indicator monitors a hazard common in the entertainment industry, as well as remote broadcast: wiring faults, such as accidental connection to 300+ VAC where 230VAC is expected, or an open series neutral from a multi-phase electrical service. The Furman EVS circuit senses voltages that are so high that operation would be impossible and shuts the power down before damage can occur.

Upon initially applying power to the P-6900 AR E, the Extreme Voltage indicator will illuminate to a bright red if the input voltage is above the extreme voltage cutoff. When this occurs, power will not be applied to the P-6900 AR E's outlets. If the unit has been operating with an acceptable input voltage and subsequently that voltage exceeds 275V, it will shut off power to the outlets and the Extreme Voltage LED will light.

**Note:** *If the mains power is above the high cutoff voltage and has caused the EVS circuit to remove power from the Furman's outlets, it cannot restore power without the operator manually turning the unit off, then on again. Avoid turning the unit back on without first checking the source of the problem and perhaps changing the AC source.*

**Protection OK Indicator:**

Although the Furman SMP circuit assures virtually maintenance free protection from transient voltage spikes and surges, nature has a way of occasionally creating electrical forces that are beyond the capabilities of any TVSS device to absorb without some degree of damage (such as a direct lightning hit in an outdoor application). In the rare instance that this occurs, the green "Protection OK" LED indicator (located to the lower right of the voltage meter) will not illuminate. If this happens, some level of protection from voltage surges will remain, but the Furman's clamping voltage rating will be compromised. The unit must be returned to Furman.

**USB Charger:**

The Furman P-6900 AR E's USB charger provides an easy way to recharge many popular electronic accessories as well as cellular communication devices by simply plugging the re-charge cord into the front panel socket.

**Note:** *As there are currently different charging standards for USB devices, some devices may not be compatible with our charger.*

**Isolated Outlet Banks:**

The Furman P-6900 AR E features six rear-panel IEC-320 10 Amp outlets in two isolated banks. If you are connecting digital and analog equipment to the P-6900 AR E, it is recommended to connect the analog equipment to "Bank A" and digital equipment to "Bank B" (or vice-versa) to minimize electrical crosstalk.

**TROUBLESHOOTING**

1.) Symptom: No power to the AC outlets; "Protection OK" indicator is not lit.

Possible Cause: Either the AC outlet to which your P-6900 AR E is connected has no AC voltage present, or there has been damage to the unit's circuitry.

Action Needed: Plug the P-6900 AR E into an AC receptacle where a nominal 230 VAC is present. If the problem persists, the internal circuitry may be damaged and the unit will require factory service (see "Service" section below).

2.) Symptom: Extreme Voltage indicator lit.

Possible Cause: Input voltage is above 275 volts causing power to the unit's outlets to be shut down.

Action Needed: Correct the line voltage, and then turn the Furman conditioner on.

## **SERVICE**

Questions or issues with your Furman unit should be directed to the Furman Customer Service Department, via email at [info@furmansound.com](mailto:info@furmansound.com). If a unit requires service, it must have an RA number assigned from Furman's Customer Service Department.

Before returning any equipment for repair, please be sure that it is adequately packed and cushioned against damage in shipment, and that it is insured. We suggest that you save the original packaging and use it to ship the product for servicing. Also, please enclose a brief note giving your name, address, phone number and a description of the problem. Please display your RA number prominently on the front of all packages.

## **5 YEAR LIMITED WARRANTY**

**SAVE YOUR SALES RECEIPT!** The receipt is your proof of purchase and confirms the product was purchased at an authorized Furman dealer. It will need to be submitted to Furman in order to process any warranty claims.

Furman, a brand of Panamax Inc., warrants its **P-6900 AR E** (the "Product") as follows:

Furman warrants to the original purchaser of the product that the product sold hereunder will be free from defects in material and workmanship for a period of five years from the date of purchase. If the product does not conform to this Limited Warranty during the warranty period (as herein above specified), purchaser shall notify Furman of the claimed defects via email ([info@furmansound.com](mailto:info@furmansound.com)). If the defects are of such type and nature as to be covered by this warranty, Furman shall authorize purchaser to return the product to Furman headquarters. Warranty claims **MUST** be accompanied by a copy of the original purchase invoice or receipt showing the purchase date. Shipping charges to Furman headquarters must be prepaid by the purchaser of the product. Furman shall, at its own expense, furnish a replacement product or, at Furman's option, repair the defective product. Return shipping charges back to purchaser will be paid by Furman.

### **THE FOREGOING IS IN LIEU OF ALL OTHER WARRANTIES, EXPRESS OR IMPLIED, INCLUDING BUT NOT LIMITED TO THE IMPLIED WARRANTIES OF MERCHANTABILITY AND FITNESS FOR A PARTICULAR PURPOSE.**

Furman does not warrant against damages or defects arising out of improper use or abnormal handling of the product, or against defects or damages arising from improper installation. This warranty shall be cancelable by Furman at its sole discretion if the product is modified in any way without written authorization from Furman or Panamax Inc. This warranty also does not apply to products upon which repairs have been affected or attempted by persons other than pursuant to written authorization by Furman or Panamax Inc.

**THIS WARRANTY IS EXCLUSIVE.** The sole and exclusive obligation of Furman shall be to repair or replace the defective product in the manner and for the period provided above. Furman shall not have any other obligation with respect to the products or any part thereof, whether based on contract, tort, strict liability or otherwise. Under no circumstances, whether based on this Limited Warranty or otherwise, shall Furman be liable for incidental, special, or consequential damages. This Limited Warranty states the entire obligation of Furman with respect to the product. If any part of this Limited Warranty is determined to be void or illegal, the remainder shall remain in full force and effect.



## SPECIFICATIONS

**MAXIMUM CURRENT:** 30 A AT 230V (230V OUTPUT SETTING) OR 30A AT 240V (240V OUTPUT SETTING)

**INLET CONNECTOR:** CHASSIS MOUNT C-FORM MALE (WITH CORD-END C-FORM FEMALE INCLUDED IN PRODUCT CARTON)

**IN REGULATION RANGE:** 180 TO 260 VAC (230V OUTPUT SETTING), 50Hz, 190 TO 270 VAC (240V OUTPUT SETTING), 50Hz

**OVER VOLTAGE SHUTDOWN:** 275 VAC NOMINAL

**APPROXIMATE INPUT VOLTAGE CAPTURE RANGE:** 174 TO 264VAC

**SPIKE PROTECTION MODES:** LINE TO NEUTRAL, ZERO GROUND LEAKAGE

**SPIKE CLAMPING VOLTAGE:** 375 VAC PEAK (266VAC) @ 3,000 AMPS

**RESPONSE TIME:** 1 NANOSECOND

**MAXIMUM SURGE CURRENT:** 6,500 AMPS

**NOISE ATTENUATION:** 10 DB @ 10KHz, 30 DB @ 100 KHz, 50 DB @ 500KHz

**POWER CONSUMPTION:** 17 WATTS (NO LOAD)

**RECEPTACLES (REAR PANEL):** TWO C-19 RECEPTACLES, SIX C-13 RECEPTACLES, AND ONE FEMALE C-FORM 30A RECEPTACLE

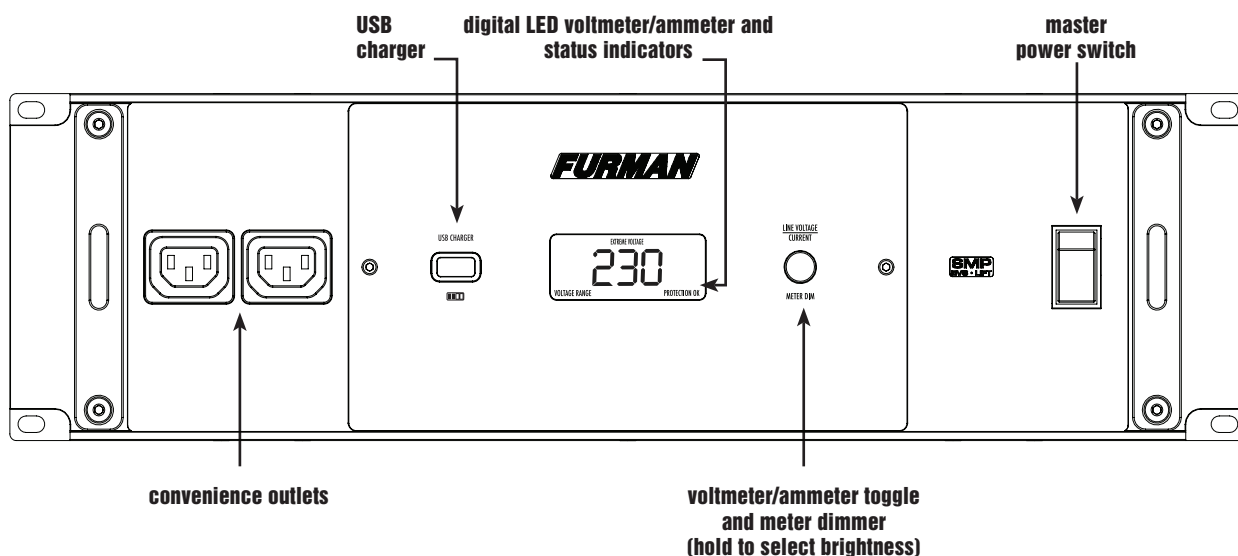
**RECEPTACLES (FRONT PANEL):** TWO C-13 RECEPTACLES

**DIMENSIONS:** 483MM (19") W X 597MM (23.5") D X 133.35MM (5.25") H (MEASURED WITH LINE CORD CONNECTOR IN PLACE)

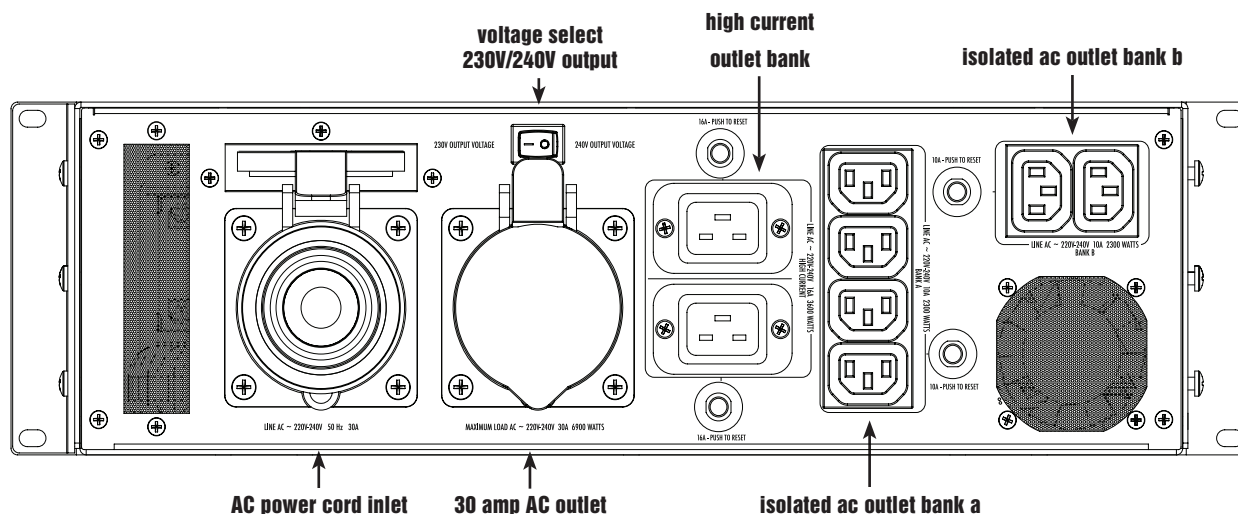
**WEIGHT:** 26kg. (57 lbs.)

**SAFETY AGENCY:** CE

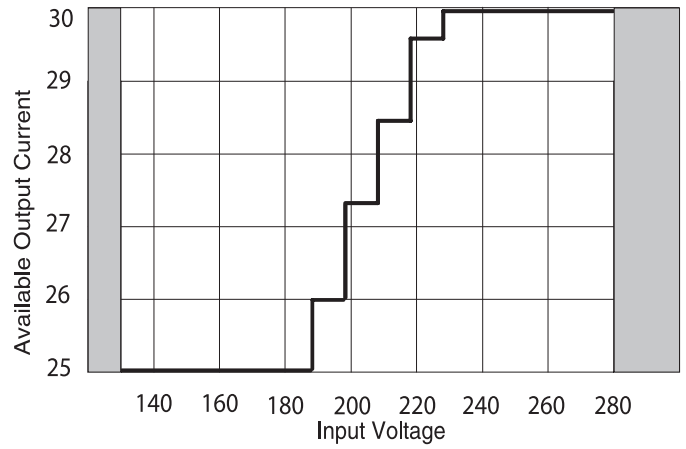
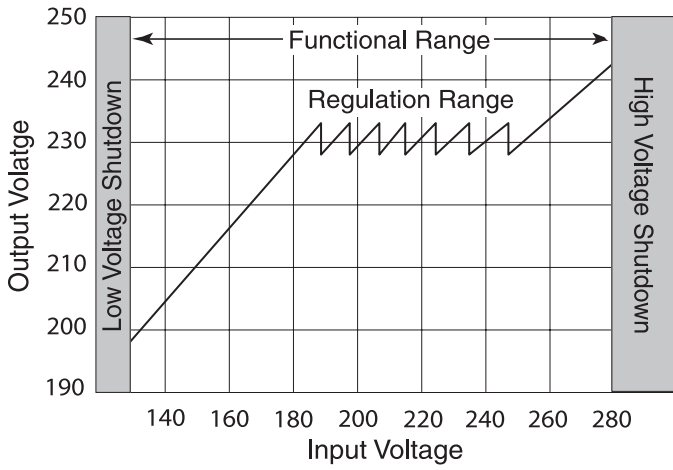
## P-6900 AR E FRONT PANEL



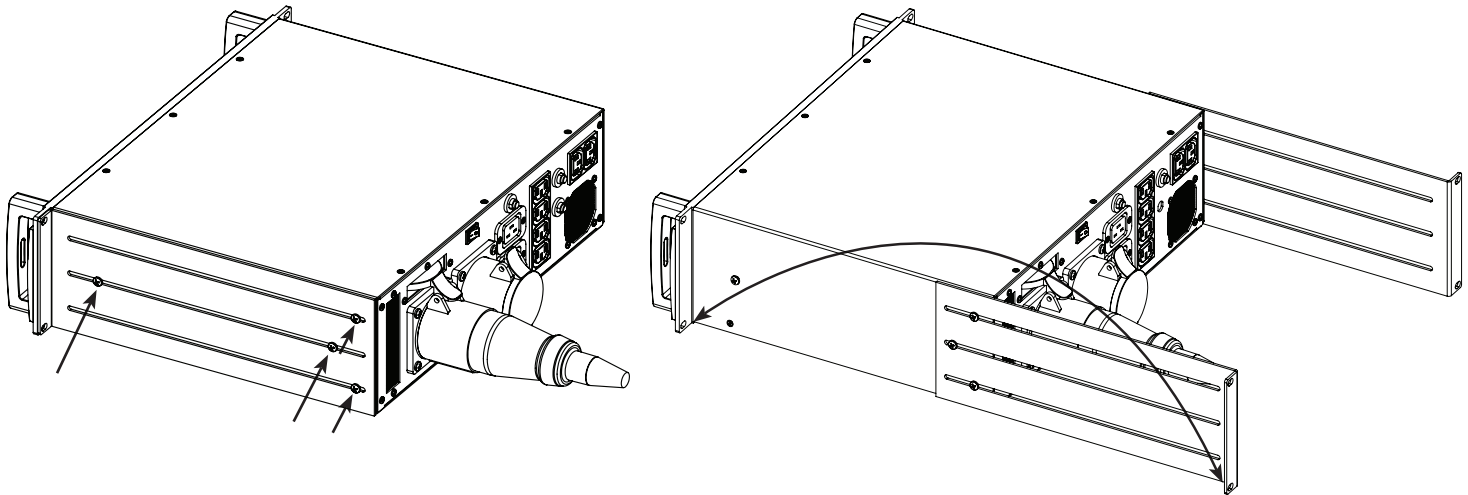
## P-6900 AR E REAR PANEL



**AR VOLTAGE AND AR OUTPUT RANGE**



**REAR RACK EAR MOUNTING (Figure 1.a)**



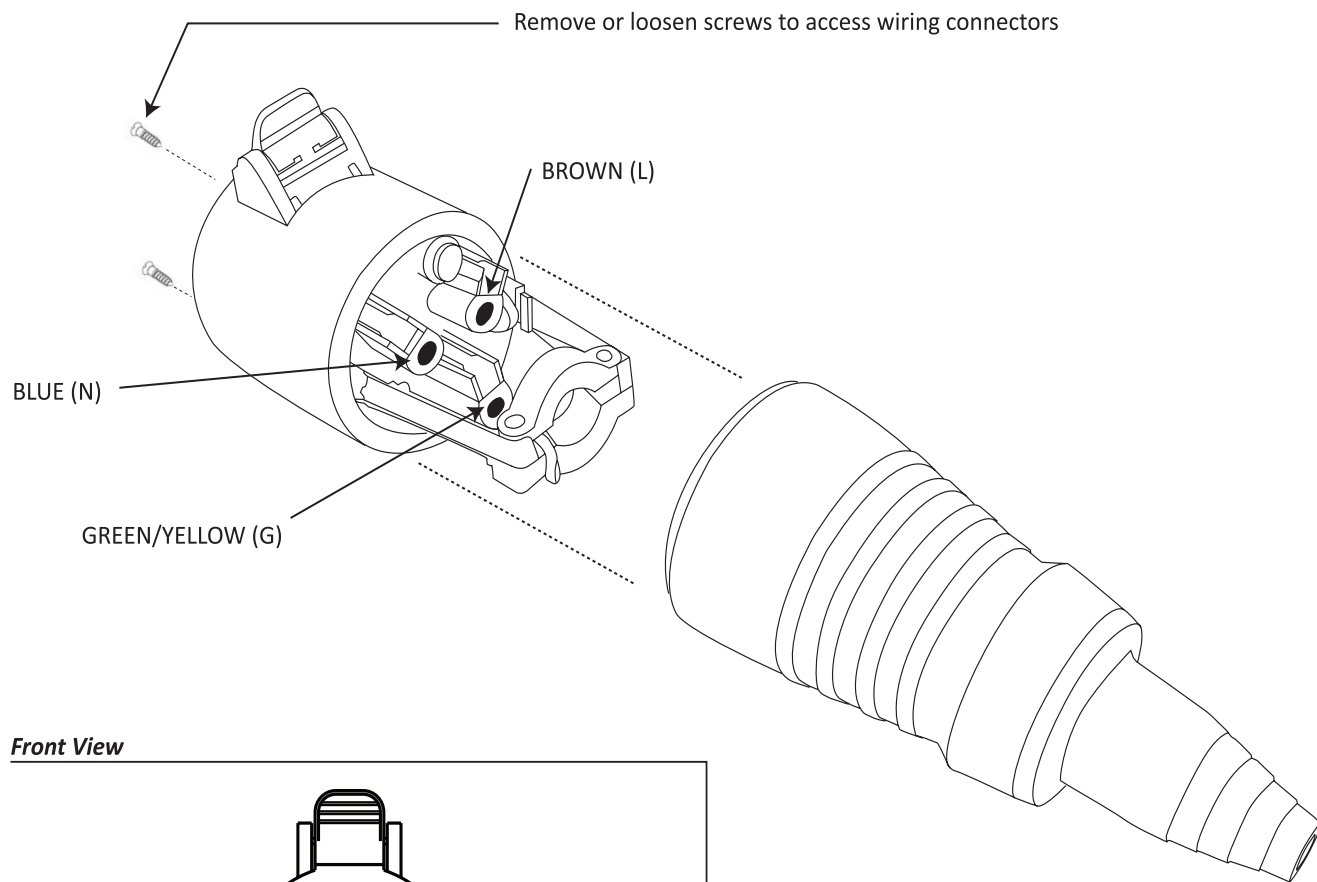
Remove the securing screws from the side and front portions of the P-6900 AR E's adjustable rear rack ear and reinforcement side plate (located on either chassis side). Reverse the rack ears and re-attach to the P-6900 AR E chassis (as shown on the right).

# IEC-309 CONNECTOR ASSEMBLY

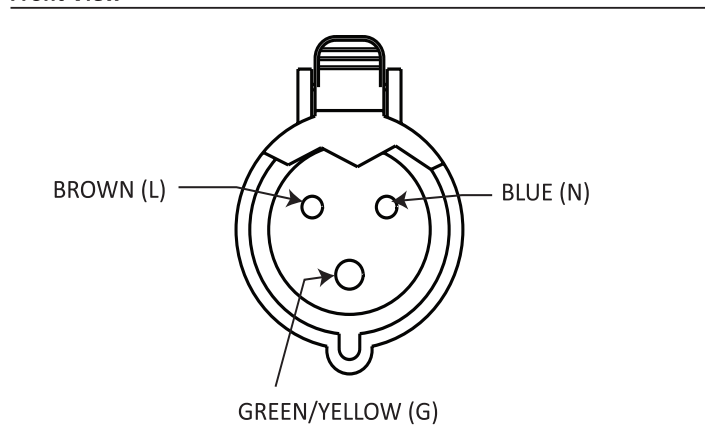
## Supply Cable Wiring

The back panel of the P-6900 AR E provides a mounted IEC-309 male connector. A separate IEC-309 female cable mounting power outlet is include with your P-6900 AR E, recommended for use with 3 x 4 mm<sup>2</sup> wiring. Please follow the usage diagrams below.

## Assembly View

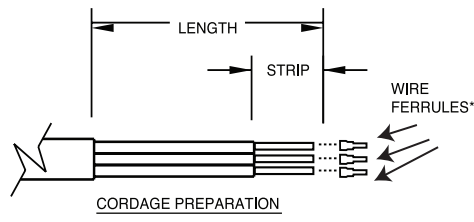


## Front View



## Cord Preparation

MAXIMUM JACKET O.D. ACCEPTED BY EXTERNAL STRAIN RELIEF = 24mm DIA (0.945") MAXIMUM JACKET O.D. ACCEPTED BY INTERNAL STRAIN RELIEF = 24mm DIA (0.945") MAXIMUM CONDUCTOR SIZE ACCEPTED BY TERMINALS = 4mm <sup>2</sup> (8 AWG)			
CORDAGE PREPARATION			
CONDUCTOR INSULATION COLOR	CONDUCTOR COLOR CODE	"LENGTH"	"STRIP"
GREEN / YELLOW	GROUND	45mm	10mm
BLUE	NEUTRAL	55mm	10mm
BROWN	LINE	55mm	10mm



\*Furman recommends use of wire ferrules (not included) to terminate stranded wire in coupling connector.

## CARACTÉRISTIQUES DU P-6900 AR E DE FURMAN

- **Régulation de tension RMS réelle** (Valeur moyenne quadratique) - autotransformateur toroïdal de 30 ampères ultrasilencieux contrôlé par microprocesseur
- Protection multi-étagée **SMP** (series multi-stage protection) avec extinction en cas de tension extrême **EVS** (Extreme Voltage Shutdown)
- Technologie de filtrage linéaire **LiFT** (Linear Filtering Technology - Technologie de filtrage linéaire) sans altération de la mise à la terre
- Neuf prises de courant CA régulées sur le panneau arrière
- Sortie 230V ou 240V (commutable)
- Ampèremètre numérique à RMS réelle commutable/à luminosité réglable et voltmètre numérique très précis
- Indicateur tricolore de niveau de tension (en complément de la lecture numérique de tension)
- Prise USB sur le panneau avant pour charger la plupart des appareils portables de données et des téléphones portables.
- Capacité maximale de courant de 30A (6900 watts)
- Entrée mâle et sortie de 30 A en forme de C (adaptateur femelle en forme de C inclus)
- Garantie limitée de 5 ans

## INTRODUCTION

Nous vous remercions d'avoir acheté le régulateur de tension/conditionneur d'alimentation de la série Prestige de Furman et nous vous félicitons pour votre choix. Les modèles de la série Prestige P-6900 AR E sont munis du système Régulation de tension RMS réelle de Furman, de circuits de protection multi-étagés (SMP) de Furman et de notre technologie exclusive de filtre linéaire (LiFT). Ensemble, ces technologies intègrent exactement ce que nos clients attendent de la part de Furman : une protection et une purification sans compromis. Le P-6900 AR E a été spécialement conçu pour répondre aux exigences des studios d'enregistrement, des stations de diffusion et des musiciens les plus pointus.

Le modèle P-6900 AR E de Furman est conçu pour protéger les équipements électroniques sensibles aux problèmes provoqués par les irrégularités du courant de réseau alternatif — les baisses de tension ou les surtensions qui peuvent provoquer des modifications de la tonalité des sons, une défaillance des appareils numériques (tel que la perte de logiciels MIDI ou d'autres données) ou dans des cas extrêmes, des dommages permanents. Ce modèle accepte des tensions d'entrée de réseau alternatif et les convertit en une sortie stable et régulière de 230V ou 240V (permutable), plus ou moins 10 volts. Les tensions d'approximativement  $\pm 10\%$  au-delà de ce niveau peuvent être converties à des niveaux utilisables, en fonction des besoins des équipements. Cette tension stable protège les équipements et offre des performances optimales. Si vous transportez fréquemment votre rack dans des lieux différents, dérivez l'alimentation à partir d'un générateur, utilisez des rallonges excessivement longues, voyagez dans le monde et ou bien vous trouvez dans une zone sujette à des baisses de tension, vous profiterez pleinement de l'utilisation du P-6900 AR E de Furman.

## DESCRIPTION

### *Technologie de régulation de la tension RMS réelle*

La régulation de tension RMS réelle est conçue autour d'un autotransformateur toroïdal de ultrasilencieux à huit prises. Un microprocesseur à l'intérieur du P-6900 AR E contrôle la tension RMS entrante pour chaque période, en mesurant le déphasage simultanément avec la période en cours. La plupart des régulateurs de tension commerciaux utilisant des transformateurs à plusieurs prises qui changent de sorties de façon indéterminée. Cela provoque des pics de tension et des clics qui peuvent avoir des effets sonores. Lorsqu'une fluctuation de la tension requiert une correction du P-6900 AR E, le régulateur de tension à RMS réelle met en avant une nouvelle prise avec moins de contrainte et évite alternativement les distorsions du courant alternatif ondulant. L'hystérésis des circuits du P-6900 AR E évite le basculement inutile entre les prises adjacentes (ou "chatters") que l'on trouve dans beaucoup de régulateurs de tension vendus dans le commerce. En cas de besoin, la technologie de régulation de tension à RMS réelle peut basculer d'une prise à une autre aussi souvent qu'il y a de période et cela avec un délai de récupération plus court qu'un régulateur de tension commun. En plus de cela et contrairement aux régulateurs de tension utilisant un transformateur ferrorésonnant, le modèle P-6900 AR E n'est pas sensible aux petites erreurs de fréquence de la ligne, ce qui le rend idéal pour une utilisation avec un générateur.

Le P-6900 AR E a neuf réceptacles sur le panneau arrière et deux réceptacles de convenance sur le panneau avant. Tous sont fonctionnellement interchangeables en termes de régulation de tension, protection et filtrage. Cependant, il y a des différences dans le courant qui peut passer par eux. Deux six de panneau arrière du IEC 320 femelles réceptacles de panneau avant et peuvent fournir jusqu'à 10 ampères de capacité ; deux réceptacles femelles du IEC C-19 fournissent jusqu'à 16 ampères de capacité ; et un réceptacle femelle de C-Forme fournit 30 ampères de capacité (aucune combinaison des onze réceptacles ne peut fournir plus de 30 ampères). En plus, l'autoformer ; la conception toroïdale de s assure la fuite minimale des champs magnétiques parasites.

**Remarque :** Le modèle P-6900 AR E ne doit être utilisé qu'en présence d'une tension CA. Ne jamais utiliser sur des tensions CC. De plus, il ne modifie et ne régule pas la fréquence de la ligne. La fréquence de sortie sera toujours la même que la fréquence entrante.

### **Protection multi-étagée SMP (Series Multi-Stage Protection) et extinction en cas de tension extrême EVS (Extreme Voltage Shutdown)**

La suppression des surtensions SMP (Protection multi-étagée) de Furman élimine pratiquement les appels de maintenance et les « temps d'arrêts » coûteux. Les circuits traditionnels de protection contre les surtensions se sacrifient lorsqu'ils sont exposés à des pics passagers de tensions, ce qui nécessite le démontage de votre système et la réparation de votre étaleur d'ondes. Ce n'est pas le cas avec le SMP de Furman. Avec le SMP, les surtensions passagères nuisibles sont absorbées, bloquées et dissipées de façon sûre. Votre matériel connecté est protégé, tandis que votre P-6900 AR E se protège lui-même !

Ce qui différencie le SMP de Furman est sa tension de blocage sans égal. Alors que d'autres conceptions disposent de tension de blocage se situant bien au-delà de 600 Vpk, le SMP de Furman se verrouille à 375 Vpk (266 VCA) même lorsqu'il est testé avec des surtensions multiples de 6000 Vpk - 3000 A ! Ce niveau de protection sans précédent n'est offert que par la technologie SMP de Furman. De plus, les circuits de confiance d'EVS (Extinction en cas de tension extrême) de Furman protègent contre les conditions catastrophiques de surtension (telles que toutes les trop fréquentes connexions accidentelles à des prises de courant 300+ VCA ou un neutre intermittent) en coupant l'alimentation entrante jusqu'à ce que la surtension soit corrigée et que l'interrupteur d'alimentation soit réinitialisé.

### **LiFT (Technologie de filtrage linéaire)**

La technologie de filtrage linéaire (LiFT) de Furman réduit les bruits de la ligne de réseau CA de façon uni et linéaire à travers une très large bande passante, ce qui diminue les bruits de fond. Les filtres/conditionneurs CA traditionnels ont été conçus pour être utilisés dans des conditions irréalistes de laboratoire ; qu'il s'agisse de filtres multipolaires ou à modes conventionnels. Les technologies précédentes pouvaient en effet nuire aux performances du son et de l'image plus qu'elles ne les aidaient à cause du pic résonnant de leur conception vétuste non linéaire. Dans certaines conditions, ces technologies peuvent en fait ajouter plus de 10 dB de bruit à la ligne de tension CA ! Pire encore, des pertes de données, le besoin de réinitialiser les pré-réglages numériques ou des convertisseurs numériques détruits sont fréquemment causés par des pics excessifs de surtension et le bruit CA qui polluent la mise à la terre du matériel. La technologie LiFT de Furman utilise une approche différente, assurant des performances optimales grâce au filtrage linéaire sans altération ou fuite de la mise à la terre.

### **P-6900 AR E - Fonctions Supplémentaires :**

De plus, le modèle P-6900 AR E est muni d'un compteur numérique très précis à double fonction qui affiche la tension d'entrée par intervalles de 1 volt et agit comme ampèremètre mesurant le courant RMS jusqu'à 0,1 ampère. La précision du voltmètre est de  $\pm 2,0$  volts et ce dernier dispose d'un indicateur tricolore de niveau de tension. Il permet à l'utilisateur de savoir si la tension est dans un intervalle sûr ou non d'utilisation. L'ampèremètre mesure avec précision l'appel de courant pour une analyse instantanée des besoins du système.

Le P-6900 AR E est muni de onze prises régulées ; deux prises pratiques sur le panneau avant et neuf sur le panneau arrière. Toutes les batteries de prises du panneau arrière sont isolées électriquement les unes par rapport aux autres afin de minimiser le parasitage inductif entre les composants.

La capacité de 30A du P-6900 AR E est fourni au moyen d'un connecteur d'entrée mâle en forme de C ; un adaptateur femelle en forme de C est inclus (standard).

## **CONSIGNES DE SÉCURITÉ**

Afin d'obtenir les meilleurs résultats possibles avec votre modèle P-6900 AR E de Furman, veuillez lire attentivement ce manuel avant l'utilisation.

### **AVERTISSEMENT**

Afin de réduire les risques d'électrocution, ne pas exposer cet équipement à la pluie ou à l'humidité. Il y a à l'intérieur du boîtier des tensions élevées dangereuses. Ne retirez pas le couvercle. Confiez la maintenance uniquement à des techniciens qualifiés.

### **IMPORTANTES CONSIGNES DE SÉCURITÉ**

*(Veuillez lire avant l'installation)*

1. Veuillez lire et respecter toutes les consignes de sécurité ainsi que le mode d'emploi avant d'installer votre P-6900 AR E. Conservez ces consignes pour toute consultation ultérieure.
2. Votre modèle P-6900 AR E ne devrait pas être utilisé près d'une source d'eau, telle qu'une baignoire, un lavabo, un évier, une cuve de lessivage, dans un sous-sol mouillé ou près d'une piscine.

3. Ne placez pas votre P-6900 AR E près de sources importantes de chaleur, telles qu'un radiateur, une bouche d'air chaud, une cuisinière ou d'autres appareils produisant une chaleur importante.
4. Acheminez le cordon d'alimentation et tous les autres câbles afin d'éviter leur piétinement, les possibilités de trébuchements ou leurs contraintes. Portez une attention particulière à l'état des cordons et des câbles et à l'endroit d'où ils sortent de votre conditionneur Furman. Pour éviter les risques d'incendie ou de blessure, remplacez immédiatement les cordons et les câbles endommagés.
5. Nettoyez votre P-6900 AR E à l'aide d'un linge humide uniquement. N'utilisez pas de solvants ou de nettoyeurs abrasifs. Ne versez jamais de liquide dans ou sur l'appareil.
6. Cette unité ne sera pas exposée à l'égoutture ou l'éclaboussement des liquides et d'aucun objet remplis de liquides sera placé sur l'appareil.
7. Cette unité sera reliée à une sortie de douille de FORCES à un raccordement de mise à la terre protecteur.
8. Faites vérifier l'état de votre P-6900 AR E par un technicien qualifié lorsque :
  - Le cordon ou la prise d'alimentation est usé(e), entortillé(e) ou coupé(e).
  - Des objets sont tombés ou des liquides ont été renversés sur l'appareil.
  - L'appareil a été exposé à la pluie ou à une humidité importante.
  - L'appareil ne semble pas fonctionner normalement.
  - Le voyant "Protection OK" n'est pas allumé.
  - L'appareil est tombé par terre ou le boîtier a été endommagé.
9. En vous reliant soyez P-6900 AR qu'E à une sortie de service au sol à C.A. est fortement - recommandé. Cependant non nécessaire pour que le produit fonctionne, il aidera à éviter n'importe quelle possibilité de choc électrique si l'équipement relié échoue pour n'importe quelle raison.
10. N'essayez pas de réparer votre modèle P-6900 AR E au-delà des instructions fournies par ce manuel. Toute autre réparation devrait être confiée à un technicien qualifié.

## INSTALLATION

Grâce à la conception toroïdale du transformateur, le P-6900 AR E de Furman peut être placé à proximité de la plupart des équipements sans craindre qu'ils soient perturbés par une fuite d'un puissant champ magnétique de 50/60 Hz. Cependant, il est suggéré de placer le rack en haut ou en bas.

Comme avec tout équipement qui se monte sur rack, assurez-vous d'utiliser des vis 10-32 pour le montage dans les trous filetés du rack (ce ne sont pas des dimensions en mètre). Faites particulièrement attention aux vis 10-24, qui peuvent être installées en forçant, mais qui abîmeront le filetage. Pour éviter d'abîmer la finition du panneau avant, utilisez des rondelles en plastique sous les têtes de vis.

### **Montage à l'arrière d'un rack :**

Si vous installez le P-6900 AR E dans un rack qui a des rails de montage avant ou arrière, vous pouvez facilement le fixer à l'arrière de votre rack. Retirez simplement les vis de montage des parties avant et latérales du bâti réglable à l'arrière du P-6900 AR E et la plaque latérale de renfort (située d'un côté ou de l'autre du châssis), inversez-la et réassemblez-la sur le châssis du P-6900 AR E. (Voir Figure 1.a, page 18)

## FONCTIONNEMENT

### **Commutateur de choix de tension :**

Le commutateur de choix de tension est seulement indiqué par le régulateur pendant la puissance vers le haut. Une fois que le régulateur est en activité, ce commutateur n'a aucun affect sur la tension de rendement. Si l'utilisateur désire changer la tension de rendement, ajustez le commutateur sur l'arrangement désiré et faites un cycle la puissance au régulateur.

### **Compteur de courant RMS réelle et de tension numérique commutable/à luminosité réglable :**

Le voltmètre numérique CA de très grande précision de Furman mesure continuellement les tensions d'entrée avec une tolérance caractéristique de +/-1,5 VCA. Veuillez remarquer que la lecture de la tension est déterminée par la tension CA entrante.

L'ampèremètre à RMS réelle de Furman mesure continuellement la charge totale du circuit CA avec une tolérance caractéristique de +/-0,5 A. Comme le compteur dispose de la technologie RMS réelle, les lectures de courant sont précises quelles que soient les condi-

tions de charge (capacitive, inductive ou résistive). Pour basculer entre la tension et le courant, appuyez sur le bouton appelé « Line Voltage/Current » (Courant/Tension de réseau). Pour modifier l'intensité de l'éclairage de l'affichage, appuyez sur ce bouton pendant deux secondes pour passer par les trois différents niveaux de luminosité.

#### **Indicateur de gamme de tension :**

Cet indicateur de gamme de tension tricolore est situé dans le coin inférieur gauche de l'afficheur numérique de tension. Lorsque la tension entrante CA est située entre 180 et 260V (230V a produit l'arrangement - arrangement du rendement 190-270 @ 240V) le voyant tricolore sera vert (optimal), ce qui indique que l'appareil fonctionne correctement. Cependant, si le régulateur subit une situation anormale passagère le voyant deviendra orange (attention). Le voyant orange s'allume en cas de modifications excessives ou de changement soudain au niveau de l'entrée (+/-20 volts). Si la tension d'entrée est en dehors de la gamme optimale le voyant deviendra rouge. Les avertissements rouges indiquent que la tension entrante est loin d'être optimale et en dehors de la gamme fournissant une tension constante de 230V (ou 240V permutable). Dans ces conditions, le P-6900 AR E continuera de réguler à partir de la dernière prise de l'autotransformateur, fournissant une tension de sortie aussi proche que possible de 230V (ou 240V) (par exemple, une tension entrante de 180V correspondra à une tension sortante de 221V). Lorsque vous utilisez le modèle P-6900 AR E pour des applications critiques pour lesquelles une tension de 230V est primordiale, le voyant rouge est très précieux.

#### **Interrupteur d'alimentation / disjoncteur magnétique à résistance ultra faible :**

Furman' ; des séries de prestige de s commutateur électrique de capacité de 30 ampères/disjoncteur sont spécifiquement conçues pour se tenir jusqu'aux demandes courantes d'énorme irruption élevée de beaucoup d'amplificateurs de puissance. Si la capacité courante du maximum RMS de 30 ampères du P-6900 AR E est dépassée, le commutateur tendu par ressort remettra à zéro immédiatement dans les « 0 » positions. Vous devrez commuter de nouveau à la « 1 » position une fois que le problème est corrigé (typiquement en éliminant un composant), ou jusqu'au RMS le courant ne dépasse pas 30 ampères (6900 watts @ 230VAC).

#### **Capacité totale de courant (charge maximale et minimale) :**

Le P-6900 AR E peut manipuler des charges se montant à jusqu'à 30 ampères tant que la tension d'entrée est égale ou au-dessus derrière 230 volts (ou ; 240V avec l'arrangement du rendement 240V). Pour des tensions au-dessous de ce niveau, sa capacité doit être sous-sollicitée à approximativement 130 milliampères par volt. (Voir les graphiques sur secondaire.) Pendant qu'une question pratique, donc, pour faire face avec succès à l'arrêt partiel des cas les pires conditionne, vous devriez prévoir votre charge totale de sorte qu'elle ne dépasse pas approximativement 25 ampères, ou 5800 watts. Veuillez noter que ceci se rapporte à l'alimentation électrique globale de tout l'équipement branché au P-6900 AR E, pas à chaque article individuel.

#### **Indicateur d'extinction en cas de tensions extrêmes (EVS) :**

L'indicateur DEL de tensions extrêmes est normalement éteint. Il est situé à l'intérieur de l'afficheur, directement au-dessus des voyants DEL bleu des compteurs de tension et ne sera PAS visible lors d'une utilisation normale.

L'indicateur de tension d'extrémité surveille un risque commun dans l'industrie du spectacle, aussi bien que l'émission à distance : câblant des défauts, tels que le raccordement accidentel à 300+ VCA où 230VAC est prévu, ou un neutre ouvert de série d'un service électrique multiphasé. Le circuit de Furman EVS sent les tensions qui sont si hautes que l'opération serait impossible et ferme la puissance avant que les dommages puissent se produire.

Dès la mise sous tension initiale du P-6900 AR E, le voyant de tension extrême s'allumera en rouge clair si la tension entrante dépasse le niveau de coupure de tension extrême. Quand cela se produit, les prises du P-6900 AR E ne seront pas alimentées. Si l'appareil a fonctionné avec une tension entrante acceptable et que cette tension dépasse substantiellement 275V, cela éteindra l'alimentation des prises et la DEL de tension extrême s'allumera.

**REMARQUE :** Si l'alimentation globale excède le niveau de coupure et a poussé le circuit de protection à cesser d'alimenter les prises de l'appareil Furman, l'alimentation ne peut pas être rétablie sans que l'opérateur éteigne manuellement le module et le rallume. Ne rallumez pas l'appareil avant d'avoir vérifié l'origine du problème et d'avoir éventuellement changé la source d'alimentation.

#### **Indicateur « Protection OK » :**

Bien que le circuit SMP de Furman assure pratiquement une protection sans maintenance contre les pics passagers de tension et les surtensions, la nature trouve parfois le moyen de produire des forces électriques qui dépassent les capacités d'absorption de tout dispositif TVSS (Étaleur d'onde de pic passager de tension), provoquant certains dommages (comme un éclair frappant directement une installation en extérieur). Dans les rares cas où cela surviendrait, le voyant DEL vert « Protection OK » (situé dans le coin inférieur droit de l'afficheur), ne sera pas allumé. Si cela se produit, le module conservera un certain niveau de protection contre les surtensions, mais la valeur de la tension de blocage de Furman sera compromise. L'appareil devra être renvoyé à Furman.

#### **Chargeur USB :**

Le chargeur USB du P-6900 AR E de Furman offre une solution pratique pour recharger la plupart des accessoires électroniques populaires ainsi que des appareils de communication portables en branchant simplement le cordon de chargement dans la prise

située sur le panneau avant. Veuillez noter qu'il existe actuellement de nombreux standards USB, certains appareils pourront ne pas être compatibles avec notre chargeur.

#### **Rangées de prises isolées :**

Le Furman P-6900 AR E comporte six le rear-panel IEC-320 des sorties de 10 ampères à deux banques d'isolement. Si vous reliez l'équipement numérique et analogue au P-6900 AR E, on lui recommande de relier l'équipement analogue « pour encaisser A » et Digital Equipment « pour encaisser B » (ou vice-versa) pour réduire au minimum l'interférence électrique.

## **DÉPANNAGE**

1.) Symptôme : Les prises ne sont pas alimentées en électricité; l'indicateur « Protection OK » n'est pas allumé.

Cause possible : Il n'y a pas de tension CA présente dans la prise sur laquelle votre module P-6900 AR E est branché, ou les circuits de votre appareil ont été endommagés.

Solution : Branchez le P-6900 AR E sur une prise où il y a une tension nominale de 230V. Si le problème persiste, les circuits internes ont peut-être été endommagés et l'appareil nécessite une maintenance en usine (voir la section "Service à la clientèle" ci-dessous).

2.) Symptôme : L'indicateur de tension extrême est allumé.

Cause possible : La tension entrante dépasse les 275V provoquant l'extinction de l'alimentation des prises de l'appareil.

Action nécessaire : Corrigez la tension de réseau et allumez ensuite le conditionneur Furman.

## **SERVICE À LA CLIENTÈLE**

Les questions et les problèmes relatifs à votre appareil Furman doivent être adressés au département de service à la clientèle de Furman par courriel à [info@furmansound.com](mailto:info@furmansound.com). Si un appareil a besoin d'une maintenance, il doit être muni d'un numéro d'autorisation de retour (numéro RA) assigné par le département de service à la clientèle de Furman.

Avant de nous renvoyer tout appareil pour réparation, assurez-vous qu'il soit correctement emballé et protégé contre les dommages qui pourraient se produire pendant l'expédition et faites assurer le colis. Nous vous suggérons de garder l'emballage original et de l'utiliser pour expédier l'appareil. Veuillez également joindre une note contenant votre nom, votre adresse, votre numéro de téléphone ainsi qu'une description du problème. Veuillez inscrire le numéro d'autorisation de retour (numéro RA) de façon visible sur la face avant de tous les colis.

## **GARANTIE LIMITÉE DE 5 ANS**

**CONSERVEZ VOS REÇUS D'ACHAT !** Le reçu constitue votre preuve d'achat et confirme que le produit a été acheté chez un distributeur agréé Furman. Vous devrez l'envoyer à Furman pour permettre le traitement de toute réclamation concernant la garantie.

Furman, une marque de Panamax Inc., garantit son **P-6900 AR E** (le « Produit ») comme suit :

Furman garantit à l'acheteur original que le produit vendu aux termes des présentes est certifiée sans défaut matériel et de fabrication pendant une période de cinq ans à partir de la date d'achat. Si le produit n'est pas conforme à cette garantie limitée pendant la période de garantie (telle que spécifiée ci-dessus), l'acheteur avisera Furman des défauts en téléphonant au numéro suivant, 877-486-4738, ou par courriel ([info@furmansound.com](mailto:info@furmansound.com)). Si les défauts sont du type et de la nature de ceux couverts par cette garantie,

Furman autorisera l'acheteur à renvoyer le produit au siège social de Furman. Les réclamations sous garantie DOIVENT être accompagnées d'une copie de la facture ou du reçu d'achat original indiquant la date d'achat. Les frais d'expédition doivent être payés à l'avance par l'acheteur du produit. Furman s'engage à remplacer le produit à ses frais ou selon son jugement, à réparer le produit défectueux. Les frais d'expédition de renvoi à l'acheteur seront payés par Furman.

**LE SUSCITÉ SUPPLANTE TOUTE AUTRE GARANTIE, EXPRIMÉE OU IMPLICITE, Y COMPRIS, MAIS SANS SE LIMITER AUX GARANTIES IMPLICITES DE MARCHANDISATION ET D'UTILISATION VISANT UN BUT PARTICULIER.**

Furman ne garantit pas les dommages ou défauts issus d'une utilisation inappropriée ou de la manutention anormale du produit, ou contre les dommages ou défauts issus d'une mauvaise installation. Furman annulera cette garantie à sa discrétion si le produit a été modifié sans l'autorisation écrite de Furman ou de Panamax Inc. Cette garantie ne s'applique pas non plus pas aux produits dont les réparations ont été réalisées ou tentées par des personnes autres que celles autorisées par écrit par Furman ou Panamax Inc.

**CETTE GARANTIE EST EXCLUSIVE.** L'obligation unique et exclusive de Furman sera de réparer ou de remplacer le produit défectueux de la manière et selon la période indiquée ci-dessus. Furman n'aura pas d'autre obligation en ce qui concerne ses produits ou leurs pièces, qu'elle soit basée sur un contrat, une faute professionnelle, une stricte responsabilité ou autre. En aucune circonstance, Furman ne pourra être tenu responsable, que ce soit sur la base de cette garantie limitée ou autre, de dommages directs, indirects ou spéciaux. Cette garantie limitée exprime toute l'étendue des obligations de Furman quant au produit. Si une partie de cette garantie limitée devait être jugée nulle ou illégale, le reste demeurerait applicable et en vigueur.



## CARACTÉRISTIQUES

**COURANT DE SORTIE MAXIMUM** : 30 A À 230 VOLTS (RÉGLAGE DE SORTIE DE 230V) OU 30A À 240 VOLTS (RÉGLAGE DE SORTIE DE 240V)  
**CONNECTEUR D'ENTRÉE** : MÂLE EN FORME DE C MONTÉ SUR LE CHÂSSIS (AVEC ADAPTATEUR FEMELLE EN FORME DE C INCLUS DANS L'EMBALLAGE DU PRODUIT)

**PLAGE DE REGULATION** : 180 À 260 VCA (RÉGLAGE DE SORTIE DE 230V) 50Hz, 190 À 270 VCA (RÉGLAGE DE SORTIE DE 240V) 50Hz

**EXTINCTION EN CAS DE SURTENSION** : 275 VCA NOMINAL

**MODES DE PROTECTION CONTRE LES PICS DE TENSION** : RÉSEAU AU NEUTRE, AUCUNE FUITE À LA TERRE

**TENSION DE BLOCAGE DES PICS** : PIC DE 375 VCA (266VCA) @ 3 000 A

**TEMPS DE RÉPONSE** : 1 NANOSECONDE

**COURANT MAXIMAL DE SURTENSION** : 6500 A

**ATTÉNUATION DU BRUIT**: 10 DB @ 10KHZ, 30 DB @ 100 KHZ, 50 DB @ 500 KHZ

**CONSOMMATION ÉLECTRIQUE** : 17 WATTS (SANS CHARGE)

**PRISES DE COURANT (Panneau ARRIÈRE)** : UNE PRISE EN FORME DE C DE 230V 30A, DEUX PRISES FEMELLES IEC C-19 DE 230V 16A ET SIX IEC 320 DE 230V 10A

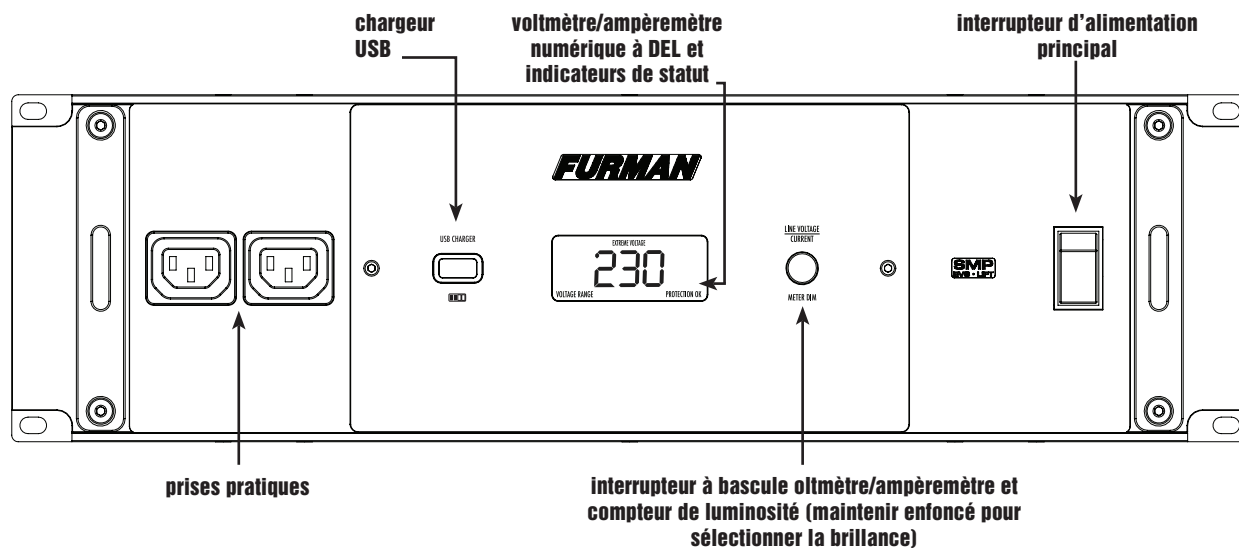
**PRISES DE COURANT (Panneau AVANT)** : DEUX PRISES FEMELLES DE 230V 10A IEC – 320,

**DIMENSIONS** : 483 MM (19") L X 597 MM (23.5") D X 133 MM (5.25") H (PROFONDEUR MESURÉE À PARTIR DU RAIL DU RACK AVANT JUSQU'À LA PRISE MÂLE EN FORME DE C)

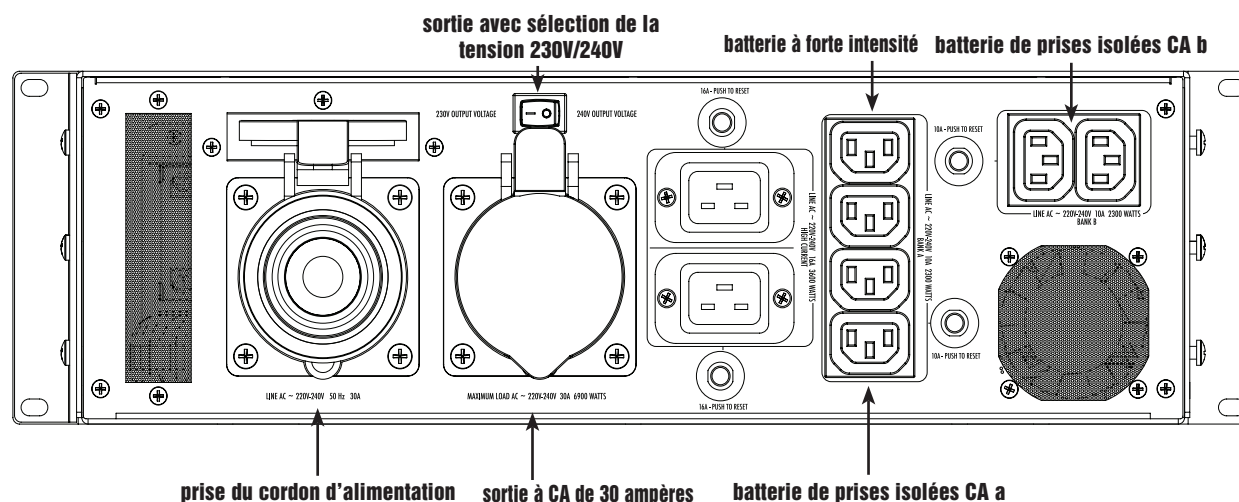
**POIDS** : 26 KG. (57 LBS.)

**AGENCE DE SÛRETÉ** : CE

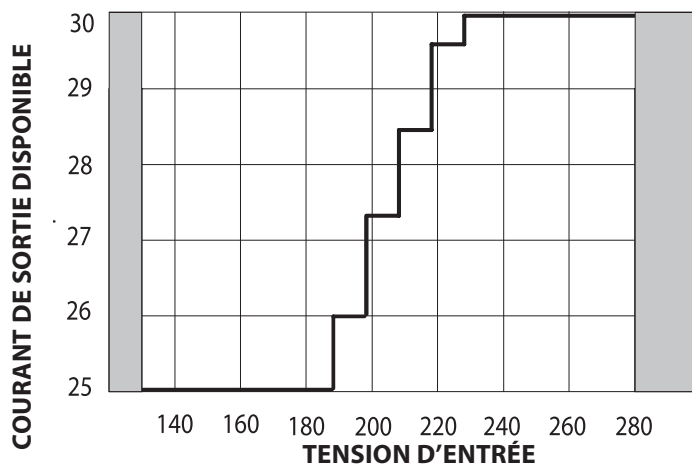
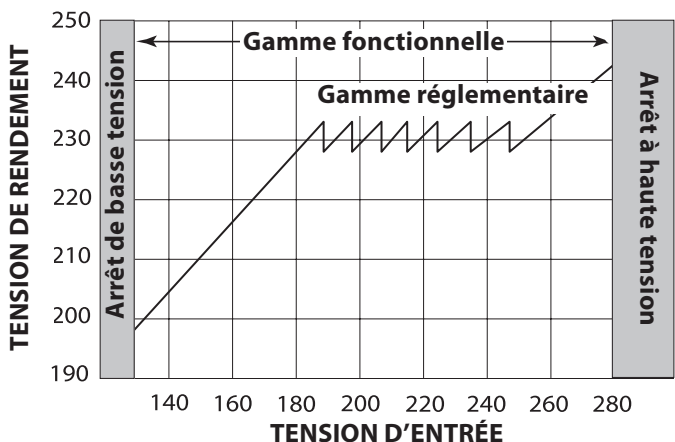
## P-6900 AR E PANNEAU AVANT



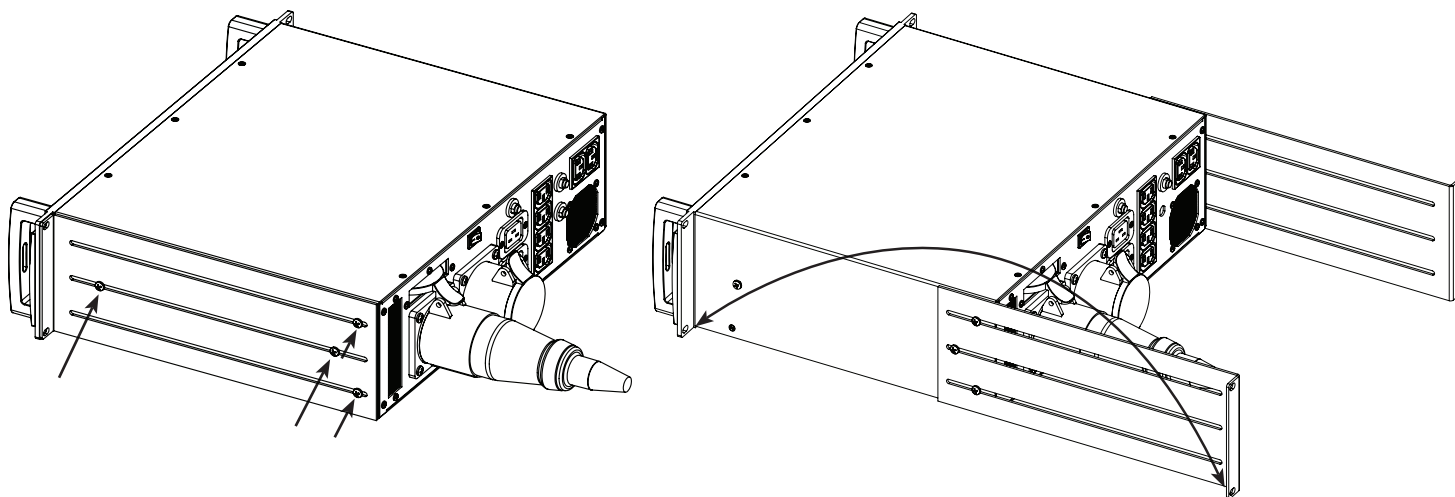
## P-6900 AR E ARRIÈRE PANNEAU



**GAMME DE TENSION ET COURANT DE SORTIE DE L'AR**



**SUPPORT DE CHASSIS ARRIÈRE (Figure 1.a)**



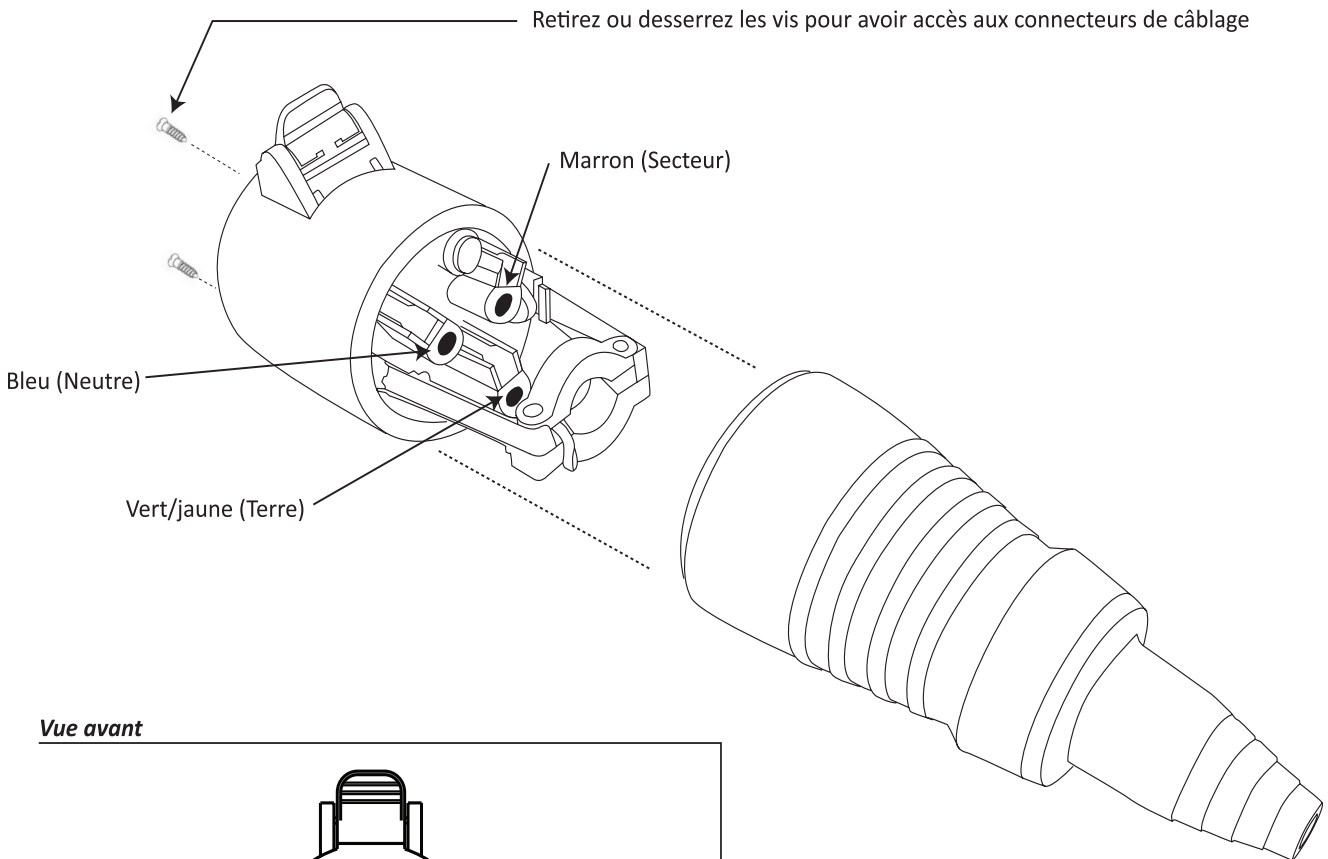
Retirez simplement les vis de montage des parties avant et latérales du bâti réglable à l'arrière du P-6900 AR E et la plaque latérale de renfort (située d'un côté ou de l'autre du châssis). Inversez-la et réassemblez-la sur le châssis du P-6900 AR E (comme montré sur la droite).

# ASSEMBLÉE CONNECTEUR IEC-309

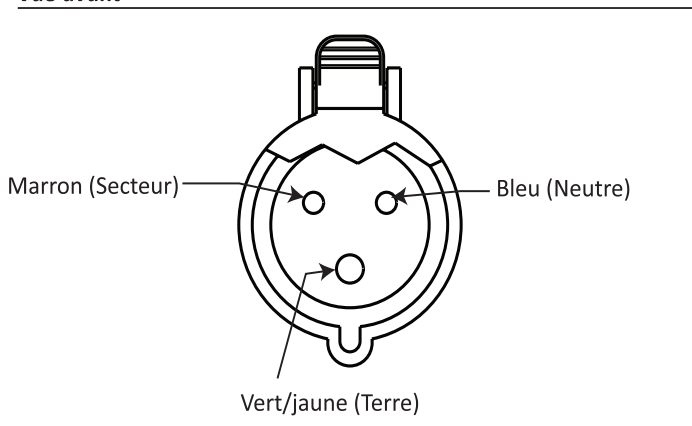
## Câblage d'alimentation

Le panneau arrière du P-6900 AR E est équipé d'un connecteur mâle IEC-309. Une sortie femelle d'alimentation IEC-309 séparée de montage du câble est comprise avec votre P-6900 AR E ; elle est recommandée pour l'utilisation d'un câble 3 x 4 mm<sup>2</sup>. Veuillez respecter les schémas d'utilisation ci-dessous.

## Vue de l'assemblage

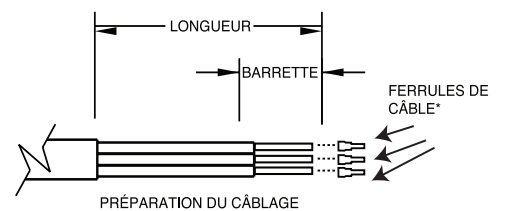


## Vue avant



## Préparation du cordon

PRÉPARATION DU CÂBLAGE			
CONDUCTEUR COULEUR D'ISOLATION	CODE COULEUR	"LONGUEUR"	"BARRETTE"
VERT/JAUNE	TERRE	45mm	10mm
BLEU	NEUTRE	55mm	10mm
MARRON	SECTEUR	55mm	10mm



\*Furman recommande l'utilisation de ferrules pour câbles (non comprises) pour raccorder le câble tressé dans le connecteur d'accouplement.

## CARACTERÍSTICAS DEL P-6900 AR E DE FURMAN

- **Verdadera regulación de voltaje RMS:** un autotransformador toroidal de ultra-bajo ruido de 30 amperios con control por microprocesador
- **SMP** (Protección de múltiples fases en serie) con **EVS** (Apagado de voltaje extremo)
- Tecnología de filtro lineal (**LiFT**, Linear Filtering Technology) sin interferencias en la conexión a tierra.
- Nueve tomacorrientes de CA regulados en el panel trasero
- Salida de 230V o 240V (conmutable)
- Amperímetro digital con regulador/conmutador de corriente en RMS verdadero y voltímetro con precisión de laboratorio
- Indicador de rango de voltaje tricolor (complementa las lecturas numéricas de voltaje)
- El conector USB del panel frontal carga la mayoría de los dispositivos de comunicación portátiles y los teléfonos celulares.
- Capacidad máxima de corriente de 30 amperios (6900 vatios)
- Entrada macho con forma C y salida de 30A (se incluye conector de extremo de cable hembra con forma C)
- Garantía limitada de cinco años

## INTRODUCCIÓN

Gracias por comprar un Regulador de potencia serie Prestige de Furman y felicitaciones por su elección. La serie Prestige P-6900 AR E presenta la Regulación de voltaje RMS verdadero, el circuito de Protección de serie multifase (SMP) de Furman y nuestra exclusiva tecnología de filtro lineal (LiFT). Conjuntamente, estas tecnologías conforman precisamente lo que nuestros clientes han aprendido a valorar de Furman: protección y purificación inigualables. El P-6900 AR E ha sido diseñado con precisión para satisfacer más que los requisitos esenciales de los estudios de grabación, los centros de radiodifusión y los músicos más exigentes.

El P-6900 AR E de Furman tiene como objetivo proteger el equipo electrónico sensible de los problemas ocasionados por las irregularidades en el voltaje de la línea de CA: oscurecimientos parciales o sobrevoltajes que pueden causar cambios tonales de audio, funcionamiento incorrecto de equipo digital (como pérdida de programas MIDI u otra información), o, en casos extremos, daño permanente. Acepta una amplia gama de voltajes de CA de entrada y los convierte en una salida regular y estable de 230V o 240V (cambiable), más o menos 10 voltios. Los voltajes de aproximadamente  $\pm 10\%$  sobre ese rango se pueden convertir a niveles utilizables, dependiendo de los requisitos del equipo. Este voltaje estable protege el equipo y permite un rendimiento óptimo. Si mueve su estante a diferentes lugares con habitualidad, deriva corriente de generadores, utiliza prolongaciones excesivamente largas, viaja al exterior o se encuentra en una zona en la que suelen producirse apagones, usted se beneficiará con el uso de un P-6900 AR E de Furman.

## DESCRIPCIÓN

### *La tecnología de Regulación de voltaje en RMS verdadero*

La Regulación de voltaje en RMS verdadero está diseñada alrededor de un transformador toroidal de ocho tomacorrientes de sonido ultra bajo. Un microprocesador dentro del P-6900 AR E monitorea el voltaje en RMS entrante en cada ciclo, midiendo el ángulo de fase a tiempo con el ciclo siguiente. La mayoría de los reguladores de voltaje comerciales que usan transformadores con múltiples tomacorrientes cambian tomacorrientes a tiempos que no son controlados. Esto crea corrientes de fuga de voltaje y chasquidos que pueden interferir con el audio. Cuando una fluctuación de voltaje requiere corrección del P-6900 AR E, la Regulación de voltaje en RMS verdadero avanza a un nuevo tomacorriente con menos tensión y, a su vez, evita la distorsión de la onda de CA. La histéresis en los circuitos del P-6900 AR E evita los cambios innecesarios entre los tomacorrientes contiguos (o "vibraciones") encontradas en muchos reguladores de voltaje comerciales. De ser necesario, la tecnología Regulación de voltaje en RMS verdadero puede cambiar los tomacorrientes hasta una vez por ciclo y lo hace con un tiempo de recuperación más corto que el de un regulador de voltaje común. Además, y a diferencia de los reguladores de voltaje que emplean transformadores ferromagnéticos, el P-6900 AR E no es sensible a pequeños errores en la frecuencia de línea, lo que lo hace ideal para usar con generadores.

El P-6900 AR E cuenta con nueve receptáculos en el panel trasero y dos receptáculos en el panel delantero para mayor comodidad. Los mencionados son totalmente intercambiables en cuanto a la regulación, protección y filtrado de voltaje. No obstante, existen diferencias en la corriente que puede transitar por los ellos. Dos receptáculos hembra IEC 320 en el panel delantero y seis en el panel trasero pueden brindar hasta 10 amperios de capacidad, dos receptáculos hembra IEC C-19 brindan hasta 16 amperios de capacidad y un receptáculo hembra de Forma C brinda 30 amperios de capacidad (ninguna combinación de los once receptáculos puede proporcionar más de 30 amperios). Adicionalmente, el diseño toroidal del autotransformador asegura un mínimo de fugas de campos magnéticos parásitos.

**Nota:** El P-6900 AR E se debe usar sólo con voltaje CA. Nunca se deben aplicar voltajes de CC. Además, no cambia ni regula la frecuencia de línea. La frecuencia de salida será siempre la misma que la frecuencia de entrada.

### **SMP (Protección de serie multifase) con EVS (Apagado de voltaje extremo)**

La eliminación de sobretensión de la SMP (Protección de serie multifase) de Furman prácticamente descarta las visitas de servicio técnico y el costoso “tiempo de inactividad”. Los circuitos de eliminación de sobretensión tradicionales se sacrifican ellos mismos cuando se ven expuestos a múltiples picos de sobrevoltaje transitorio, lo cual requiere la desmantelación de su sistema y la reparación de su eliminador de sobretensión. No sucede lo mismo con la SMP de Furman. Con SMP, los sobrevoltajes transitorios dañinos se absorben, sujetan y dispersan con seguridad. Su equipo conectado está protegido, mientras que su P-6900 AR E ¡se protege a sí mismo!

El pinzamiento de voltaje incomparable es exclusivo de la SMP de Furman. Mientras que otros diseños ofrecen pinzamiento de voltaje por encima de 600 Vpk, la SMP de Furman lo hace a 375 Vpk, (266 VCA), incluso cuando se prueban con múltiples sobretensiones de 6000 Vpk - 3000 amperes. Este nivel de protección sin precedentes está únicamente disponible con la tecnología de SMP de Furman. Además, el circuito confiable del EVS (Apagado de voltaje extremo) de Furman protege de las situaciones de sobrevoltaje catastrófico (como las demasiado frecuentes conexiones accidentales a 300+ VCA o una conexión intermitente del neutro) mediante el corte de la electricidad entrante hasta que se corrija la situación de sobrevoltaje y se reinicie el interruptor de corriente.

### **LiFT (Tecnología de filtro lineal)**

La tecnología de filtro lineal (LiFT) de Furman reduce el ruido de la línea de CA de una manera pareja y lineal a lo largo de una banda ultraancha, lo cual disminuye el ruido de fondo. Filtro de CA tradicional: los reguladores han sido diseñados para condiciones de laboratorio poco realistas, ya sean filtros de muchos polos o modo de serie convencional, las tecnologías anteriores, en realidad, podían dañar el desempeño de audio y video en lugar de mejorarlo, debido al pico resonante de sus diseños anticuados y no lineales. En ciertas situaciones, estos diseños pueden en realidad agregar más de 10 dB de ruido a la línea de CA entrante. Y lo que es peor aun, la pérdida de información digital, la necesidad de reiniciar las preconfiguraciones digitales o la destrucción de transformadores digitales, se producen con frecuencia por picos de sobrevoltaje excesivos y por el ruido de CA que interfiere con la conexión a tierra del equipo. La tecnología LiFT de Furman emplea un enfoque diferente, ya que asegura un rendimiento óptimo a través del filtro lineal sin interferencia o pérdida en la conexión a tierra.

### **CARACTERÍSTICAS ADICIONALES DEL P-6900 AR E:**

Adicionalmente, el P-6900 AR E ofrece un medidor digital de función dual con precisión de laboratorio que exhibe el voltaje de entrada en pasos de 1 voltio y el amperímetro realiza mediciones de corriente RMS de un décimo de un amperio. La precisión del voltímetro es de  $\pm 2,0$  voltios y presenta un indicador de rango de voltaje tricolor. Este informa al usuario si el voltaje se encuentra dentro o fuera de un rango seguro. El amperímetro mide con precisión la corriente disponible para un análisis instantáneo de los requerimientos del sistema.

El P-6900 AR E está equipado con once tomacorrientes regulados: dos tomacorrientes CA en el panel delantero para mayor comodidad y nueve tomacorrientes en el panel trasero. Todos los bancos de los tomacorrientes del panel trasero están aislados eléctricamente entre sí para minimizar la diafonía entre los componentes.

La capacidad de 30 amperios del P-6900 AR E está dada por un conector de entrada macho con forma C con un extremo de cable hembra con forma C incluido (estándar).

## **INFORMACIÓN DE SEGURIDAD**

Para obtener los mejores resultados de su P-6900 AR E de Furman, solicitamos que lea este manual con cuidado antes de utilizar el regulador.

### **ADVERTENCIA**

Para reducir el riesgo de descarga eléctrica, no exponga el equipo a la lluvia o a la humedad. Hay altos voltajes peligrosos dentro de la caja. No retire la cubierta. Para cualquier reparación, recurra sólo a personal técnico capacitado.

### **INSTRUCCIONES DE SEGURIDAD IMPORTANTES**

*(Lea antes de realizar la instalación)*

1. Lea y observe todas las instrucciones de seguridad y de funcionamiento antes de instalar su P-6900 AR E. Conserve estas instrucciones para poder consultarlas en el futuro.
2. El P-6900 AR E no se debe utilizar cerca de donde haya agua, por ejemplo: cerca de bañeras, lavabos, fregaderos de cocina, recipientes para lavar ropa, en sótanos mojados o cerca de piscinas.
3. No coloque el P-6900 AR E cerca de fuentes de alta temperatura, tales como radiadores, salidas de aire caliente, cocinas u otros electrodomésticos que produzcan altos niveles de calor.

4. Coloque el cable de alimentación de CA y los otros cables de manera tal que nadie los pise, desconecte o sobrecargue. Preste especial atención al estado de los cordones y los cables en los enchufes y al punto en el que salen del regulador Furman. Para evitar riesgos de incendio o lesión, los cables dañados se deben reemplazar inmediatamente.
5. Limpie el P-6900 AR E únicamente con un trapo húmedo. No utilice solventes ni limpiadores abrasivos. Nunca vierta líquidos sobre la unidad o dentro de esta.
6. Esta unidad no será expuesta al goteo o salpicar los líquidos y ningunos objetos llenados de los líquidos será colocada en el aparato.
7. Esta unidad será conectada con un enchufe de zócalo de las CAÑERÍAS con una conexión de conexión a tierra protectora.
8. Personal técnico capacitado debe realizar el mantenimiento de su P-6900 AR E cuando:
  - el cable de suministro de electricidad o el enchufe se desgaste, se doble o se corte.
  - caigan objetos o se derrame líquido dentro de la unidad.
  - la unidad haya estado expuesta a la lluvia o a la humedad extrema.
  - la unidad parezca no estar funcionando normalmente.
  - el indicador “Protección correcta” no se encienda.
  - la unidad se haya soltado o la caja se haya dañado.
9. Conectándole sea P-6900 AR que E a un tomacorriente para servicio puesto a tierra de la CA está altamente - recomendado. Sin embargo no necesario para que el producto funcione, ayudará a evitar cualquier posibilidad del choque eléctrico si el equipo conectado falla por cualquier razón.
10. No intente realizar el mantenimiento de su P-6900 AR E más allá de lo que se describe en este manual. Todas las otras tareas de servicio técnico las debe realizar personal técnico capacitado.

## INSTALACIÓN

Debido al diseño toroidal del transformador, el Furman P-6900 AR E se puede colocar cerca de casi cualquier otro equipo sin temor de que el otro equipo se vea afectado por el escape de un campo magnético fuerte de 50/60 Hz. Sin embargo, las ubicaciones sugeridas de los estantes son en la parte superior o en la parte inferior.

Como con cualquier equipo montado en estantes, asegúrese de utilizar tornillos mecánicos 10-32 para montar en los agujeros de colada del estante (esta no es una medida métrica). En particular, tenga cuidado con los tornillos 10-24, que pueden encajar si son forzados pero arrancarán las roscas. Para evitar estropear el acabado del panel frontal, use arandelas plásticas debajo de las cabezas de los tornillos.

### **Montaje del estante trasero:**

Si instala el P-6900 AR E en un estante que tiene rieles de montaje tanto frontales como traseros, puede sujetarlo fácilmente a la parte trasera del estante. Simplemente retire los tornillos de sujeción de la parte frontal y lateral de la oreja ajustable del estante trasero del P-6900 AR E y de la placa lateral de refuerzo (ubicada a cada lado del bastidor), inviértalo y sujételo nuevamente al bastidor del P-6900 AR E (Vea la Figura 1.a, página 26).

## FUNCIONAMIENTO

### **Interruptor de la selección del voltaje:**

El interruptor de la selección del voltaje es estudiado solamente por el regulador durante energía. Una vez que el regulador es activo, este interruptor no tiene ningún efecto en el voltaje de la salida. Si el usuario desea de cambiar el voltaje de la salida, ajuste el interruptor al ajuste deseado y complete un ciclo la energía al regulador.

### **Voltímetro de corriente en RMS verdadero y voltaje digital atenuante/conmutable:**

La precisión de laboratorio del voltímetro de CA digital de Furman mide constantemente los voltajes de entrada dentro de una tolerancia típica de +/-1.5VCA. Se debe tener en cuenta que el registro de voltaje está determinado por la fuente de CA entrante.

El voltímetro de corriente en RMS verdadero de Furman mide constantemente la carga de CA del circuito total, con una tolerancia típica de +/-0.5 amperes. Como el voltímetro cuenta con la tecnología de RMS verdadero, los registros de corriente son precisos sin importar las condiciones de carga (capacitiva, inductiva o resistiva).

Para cambiar entre voltaje y corriente, presione el botón “Voltaje/corriente de la línea”. Para cambiar la intensidad del visualizador, mantenga presionado este botón durante dos segundos para recorrer las 3 etapas de brillo.

**Indicador de límite de voltaje:**

Este indicador de gama tricolor del voltaje está situado en la esquina izquierda más baja del conjunto de la lente digital del metro del voltaje. Cuando el voltaje cae entrante está dentro de una gama de la captura de 180-260V (230V hizo salir el ajuste - el ajuste de la salida 190-270 @ 240V) el indicador tricolor será verde (óptimo), indicando que la unidad está en la regulación. Sin embargo, si el regulador encuentra una condición transitoria temporal el indicador dará vuelta al ámbar (precaución). Esta indicación amarilla aparece cuando hay cambios excesivos u oscilaciones repentinos en la entrada (+20 voltios). Si el voltaje entrante está más allá de la gama óptima de la captura (véase arriba), el indicador dará vuelta a rojo. Las advertencias rojas indican que el voltaje entrante está lejos de óptimo y más allá de la gama de la captura que ofrece un 230V constante (o 240V cambiable). En esta condición, el P-6900 AR E continuará regulando del golpecito pasado del autoformer, proporcionando un voltaje de la salida tan cerca a 230V (o a 240V) como sea posible (e.g. un voltaje de entrada de 180V compararía a 221V en la salida - en el ajuste cambiado 230V de la salida). Al emplear el P-6900 AR E en usos críticos de la misión donde está la preocupación 230V primaria, la indicación roja es inestimable.

**Interruptor/disyuntor magnético de resistencia ultrabaja:**

Furman' las series del prestigio de su interruptor de la capacidad de 6 amperios/disyuntor se diseñan específicamente para hacer frente a las demandas actuales de la alta avalancha enorme de muchos amplificadores de energía. Si la capacidad actual del RMS del máximo de 6 amperios del P-6900 AR E se excede, el interruptor tensado resorte reajustará inmediatamente a las "0" posiciones. Usted necesitará volver a la "1" posición una vez que el problema se corrige (típicamente eliminando un componente), o hasta el RMS la corriente no excede 30 amperios - 6900 vatios @ 230VCA.

**Capacidad de corriente total (carga máxima y mínima):**

El P-6900 AR E puede manejar las cargas que suman hasta 30 amperios mientras el voltaje de entrada sea igual o sobre a 230 voltios (o; 240V con el ajuste de la salida 240V). Para los voltajes debajo de ese nivel, su capacidad se debe reducir la capacidad normal en aproximadamente 130 miliamperios por voltio. (Véase los gráficos en la página trasera.) Mientras que una cuestión práctica, por lo tanto, hacer frente con éxito a apagón a lo peor condiciona, usted debe planear su carga total de modo que no exceda aproximadamente 25 amperios, o 5800 vatios. Observe por favor que esto refiere al requisito de energía agregado de todo el equipo tapado en el P-6900 AR E, no a cada artículo individual.

**Indicador de Apagado de voltaje extremo:**

El indicador de LED de voltaje extremo está por lo general apagado. Se encuentra ubicado dentro del armazón de la lente del medidor, justo arriba del LED azul del medidor de voltaje, aunque durante el uso normal NO estará visible.

El indicador de Voltaje extremo controla un peligro común de la industria del entretenimiento, así como también en la radiodifusión remota: las fallas en el cableado, tales como la conexión accidental a 300+VCA donde se esperan 230VCA o una serie de neutros. El circuito del EVS de Furman detecta voltajes que son tan altos que el funcionamiento sería imposible y corta la corriente antes de que pueda producirse algún daño.

Cuando le aplique corriente por primera vez al P-6900 AR E, el indicador de Voltaje extremo se iluminará con una luz roja brillante si el voltaje de entrada está por encima del corte de voltaje extremo. Cuando esto ocurra, no llevará electricidad a los tomacorrientes del P-6900 AR E. Si la unidad ha estado funcionando con un voltaje de entrada aceptable y, posteriormente, ese voltaje excede los 275V, cortará la electricidad de los tomacorrientes y se encenderá el LED del Voltaje extremo.

**NOTA:** Si la corriente de la red eléctrica supera el voltaje máximo de corte y ha causado que el circuito de EVS elimine electricidad de los tomacorrientes de Furman, entonces no se puede restaurar la corriente sin que el operador apague la unidad manualmente y, luego, la vuelva a encender. Evite volver a encender la unidad sin antes controlar la fuente del problema y, tal vez, de cambiar la fuente de CA.

**Indicador de Protección correcta:**

Aunque el circuito de SMP de Furman asegura una protección prácticamente sin mantenimiento para picos de sobrevoltaje y sobretensión transitorios, la naturaleza posee una manera de crear fuerzas eléctricas ocasionalmente que van más allá de las capacidades de absorber de NINGÚN dispositivo TVSS sin algún nivel de daño (tal como la caída directa de un rayo en una aplicación para exteriores). Si se produce esta extraña situación, el indicador de LED verde de "Protección correcta" (ubicado en el extremo derecho inferior del voltímetro) no se iluminará. Si esto sucede, habrá cierto nivel de protección de sobretensión, pero el nivel del pinzamiento de voltaje de Furman se verá comprometido. La unidad debe devolverse a Furman.

**Cargador USB:**

El cargador USB del P-6900 AR E de Furman proporciona una manera sencilla de recargar muchos accesorios electrónicos conocidos, como así también dispositivos de comunicación celular si simplemente se conecta el cable cargador en el enchufe del panel frontal. Tenga en cuenta lo siguiente: como actualmente existen muchas normas para la conexión USB, algunos dispositivos podrían no ser compatibles con nuestro cargador.

**Conector BNC trasero:**

El P-6900 AR E de Furman presenta un enchufe hembra BNC en el estante trasero que aceptará cualquier armazón de lámpara con cuello de cisne de 12 VCA (0,5A) (como el GN-LED o GN-I de Furman). Simplemente, deslice el enchufe macho BNC por el enchufe hembra y gírelo en sentido horario hasta que el conector llegue a la posición de bloqueo. La lámpara del estante trasero se puede encender o apagar con el interruptor de luz trasero, el cual se encuentra junto al conector BNC.

**Bases aisladas del tomacorriente:**

El Furman P-6900 AR E ofrece diez enchufes del panel en 2 bancos aislados. Si usted está conectando el equipo digital y análogo con el P-6900 AR E, se recomienda conectar el equipo análogo “para depositar A” y Digital Equipment “para depositar B” (o viceversa) para reducir al mínimo interferencia eléctrica.

**LOCALIZACIÓN Y SOLUCIÓN DE PROBLEMAS**

1.) Síntoma: No hay electricidad en el tomacorriente de CA; el indicador “Protección correcta” no está encendido.

Posible causa: Uno de los tomacorrientes de CA, al cual está conectado su P-6900 AR E, no tiene voltaje de CA o se produjeron daños en el circuito de la unidad.

Medida que se debe tomar: Enchufe el P-6900 AR E a un tomacorriente de CA donde haya 230 VCA nominales. Si el problema persiste, es posible que el circuito interno esté dañado, y la unidad requerirá servicio técnico de fábrica (consulte la sección “Servicio técnico” a continuación).

2.) Síntoma: El indicador de Voltaje extremo está encendido.

Posible causa: El voltaje de entrada está por encima de los 275 voltios, lo cual produce que se corte la electricidad que va a los tomacorrientes de la unidad.

Medida que se debe tomar: Corrija la línea voltaje, y después gire el acondicionador de Furman.

**SERVICIO TÉCNICO**

Si tiene preguntas o problemas con respecto a su unidad Furman, puede comunicarse con el Departamento de Atención al Cliente de Furman correo electrónico a [info@furmansound.com](mailto:info@furmansound.com). Si una unidad necesita servicio técnico, debe contar con un número de autorización de devolución asignado por el Departamento de Atención al Cliente de Furman. Antes de devolver un equipo para su reparación, asegúrese de que esté embalado correctamente y protegido de los daños que pudiera sufrir durante el envío, y que esté asegurado. Le sugerimos que conserve la caja de embalaje original y que la utilice cuando envíe el producto para servicio técnico. Además, adjunte una nota breve en la que indique su nombre, domicilio, número de teléfono y una descripción del problema. Coloque su número de autorización de devolución en tamaño grande para que se vea bien, en el frente de todos los embalajes.

**GARANTÍA LIMITADA DE 5 AÑOS**

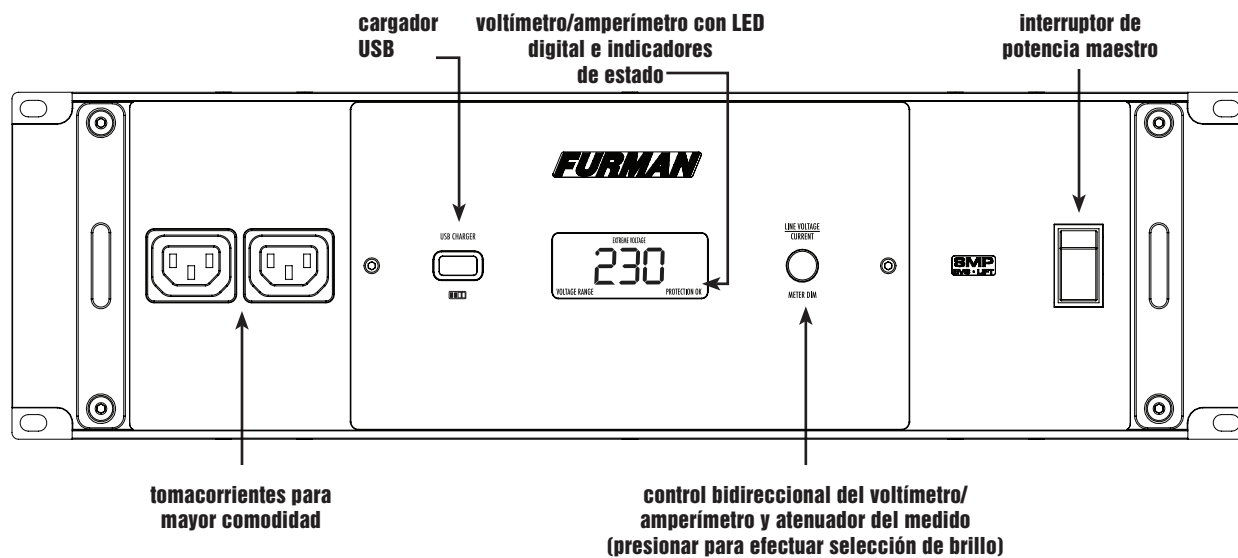
**¡CONSERVE SU RECIBO DE VENTA!** El recibo es su prueba de compra y confirma que el producto se compró en un distribuidor autorizado por Furman. Será necesario enviarlo a Furman para procesar cualquier reclamo de garantía. Furman, una marca de Panamax Inc., garantiza su producto **P-6900 AR E** (el “Producto”) de la siguiente manera: Furman garantiza al comprador original del producto que el producto vendido de acuerdo con este documento no poseerá ningún defecto de material ni de mano de obra por un período de cinco años desde la fecha de compra. Si el producto no cumple con esta Garantía Limitada durante el período de garantía (como se especificó anteriormente en el presente), el comprador deberá notificar a Furman sobre los defectos reclamados a través de un llamado telefónico al 877-486-4738 o por correo electrónico ([info@furmansound.com](mailto:info@furmansound.com)). Si los defectos son de tal tipo o naturaleza que están cubiertos por esta garantía, Furman autorizará al comprador a devolver el producto a la oficina central de Furman. Los reclamos de garantía DEBEN estar acompañados por una copia de la factura o recibo de compra originales que indiquen la fecha de compra. Los gastos de envío a la oficina central de Furman debe pagarlos por adelantado el comprador del producto. Furman deberá proveer, a su cargo, un producto de reemplazo o, si Furman lo decidiera, la reparación del producto defectuoso. Furman pagará los gastos de envío para devolverle el producto al comprador. **LO ANTERIOR SE CONSIDERA EN LUGAR DE TODAS LAS OTRAS GARANTÍAS, EXPRESAS O IMPLÍCITAS, ENTRE LAS QUE SE INCLUYEN LAS GARANTÍAS IMPLÍCITAS DE COMERCIALIZACIÓN O DE APTITUD PARA UN FIN DETERMINADO, SIN LIMITARSE A ELLAS.** Furman no ofrece garantía contra daños o defectos que surjan del uso inadecuado o de la manipulación anormal del producto, o contra defectos o daños que surjan de la instalación inadecuada. Furman podrá cancelar esta garantía a su entera discreción si el producto es modificado de alguna manera sin autorización previa de Furman o Panamax Inc. Esta garantía tampoco se aplica a productos que hayan sido reparados o hayan tenido un intento de reparación realizado por personas sin autorización escrita de Furman o Panamax Inc. **ESTA GARANTÍA ES EXCLUSIVA.** La única y exclusiva obligación de Furman será reparar o reemplazar el producto defectuoso de la manera y por el período mencionado anteriormente. Furman no tendrá ninguna otra obligación con respecto a los productos ni a ninguna de sus piezas, ya sea que se base en el contrato, por daños, responsabilidad objetiva o de alguna otra forma. Bajo ninguna circunstancia, ya sea que esté basada en esta Garantía limitada o no, Furman será responsable por daños casuales, especiales o resultantes. Esta Garantía Limitada establece la entera obligación de Furman con respecto al producto. Si alguna parte de esta Garantía Limitada se determinara como inválida o ilegal, el resto continuará en plena vigencia y efecto.



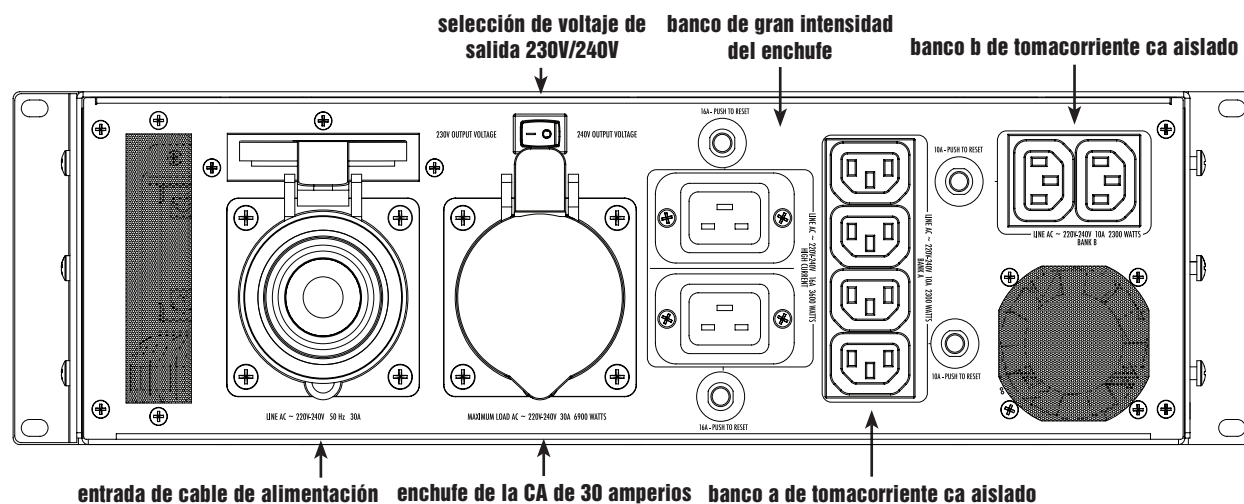
## ESPECIFICACIONES

- CORRIENTE MÁXIMA DE SALIDA:** 30 A A 230V (PARÁMETRO DE SALIDA 230V) O 30A A 240V (PARÁMETRO DE SALIDA 240V)  
**CONECTOR DE ENTRADA:** MACHO CON FORMA C MONTADO EN EL CHASIS (CON EXTREMO DE CABLE HEMBRA CON FORMA C INCLUIDO EN LA CAJ DEL PRODUCTO)  
**RECEPTÁCULOS:** (PANEL DELANTERO) DOS HEMBRA IEC – 320 230V 10A, (PANEL TRASERO) UN FORMA C 230V 30A, DOS IEC C-19 230V 16A SEIS IEC 320 HEMBRA 230V 10A  
**RANGO DE REGULACIÓN DE ENTRADA:** 180 A 260 VCA (PARÁMETRO DE SALIDA 230V) 50HZ, 190 A 270 VCA (PARÁMETRO DE SALIDA 240V) 50HZ  
**APAGADO POR SOBRE VOLTAJE:** 275 VCA NOMINALES  
**MODOS DE PROTECCIÓN CONTRA PICOS DE TENSIÓN:** LÍNEA A NEUTRO, NO HAY PÉRDIDA EN CONEXIÓN A TIERRA  
**VOLTAJE DE SUJECCIÓN PARA PICOS:** PICOS DE 375 VCA (266VCA) A 3000 AMPERIOS  
**TIEMPO DE RESPUESTA:** 1 NANOSEGUNDO  
**SOBRECORRIENTE MÁXIMA:** 6500 AMPERIOS  
**ATENUACIÓN DEL RUIDO:** 10 DB A 10KHZ, 30 DB A 100KHZ, 50 DB A 500KHZ  
**DIMENSIONES:** 483MM (19") ANCHO X 597MM (23,5") PROFUNDIDAD X 133MM (5,25") ALTO (PROFUNDIDAD DESDE RIEL DEL BASTIDOR DELANTERO AL MACHO CON FORMA C)  
**PESO:** 26 KG. (57 LBS.)  
**CONSUMO DE ENERGÍA:** 17 VATIOS (SIN CARGA)

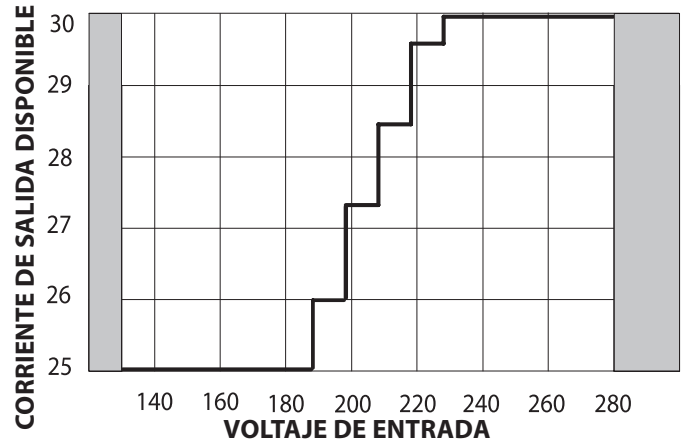
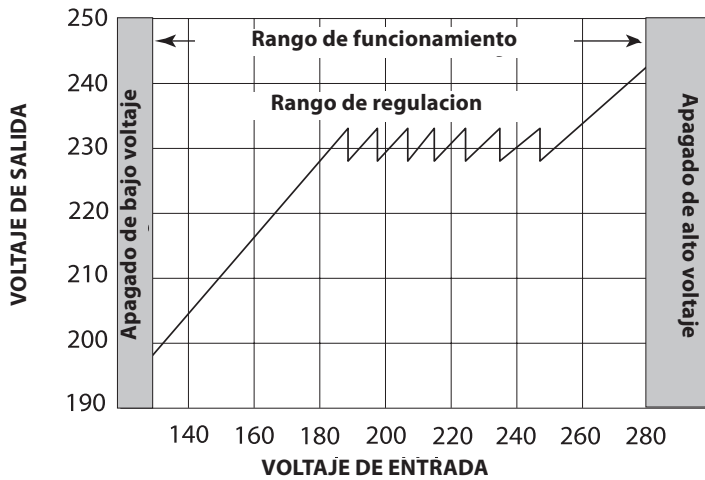
## P-6900 AR E PANEL DELANTERO



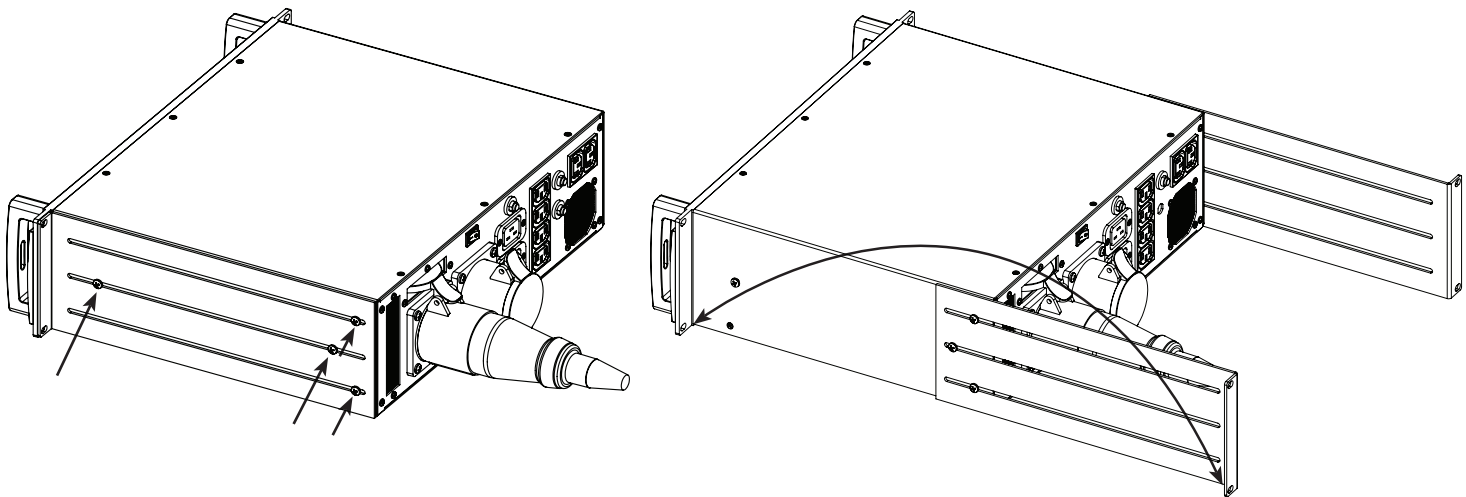
## P-6900 AR E PANEL POSTERIOR



**GAMA DEL VOLTAJE DE AR**



**BASTIDOR DE SOPORTE POSTERIOR (Figura 1.a)**



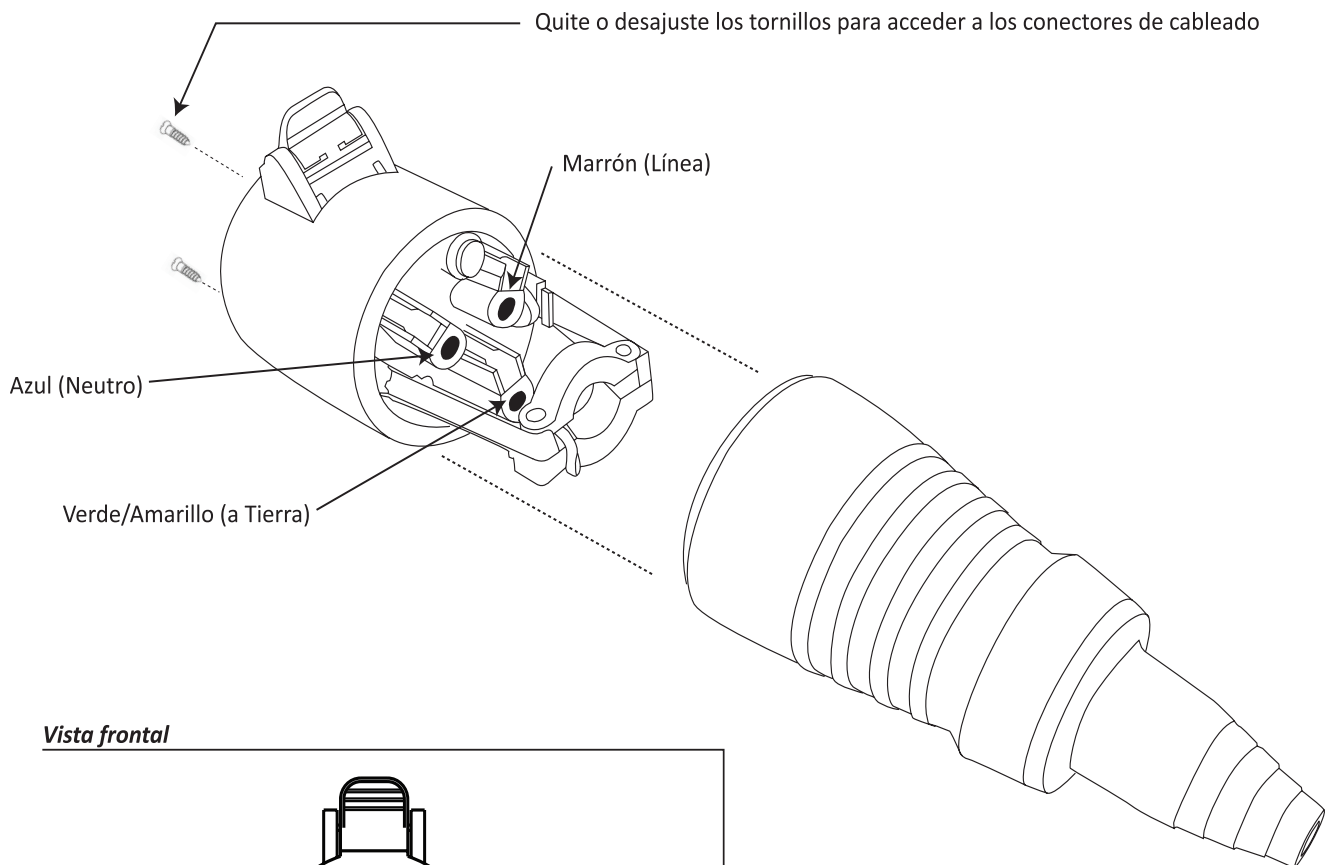
Simplemente quite los tornillos de seguridad de las porciones frontal y lateral de la muesca del estante posterior ajustable y la placa lateral de refuerzo (ubicados en cualquiera de los laterales del chasis). Inviértalos y vuelva a adjuntarlos al chasis del P-6900 AR E. (como se muestra a la derecha).

## MONTAJE DEL CONECTADOR IEC-309

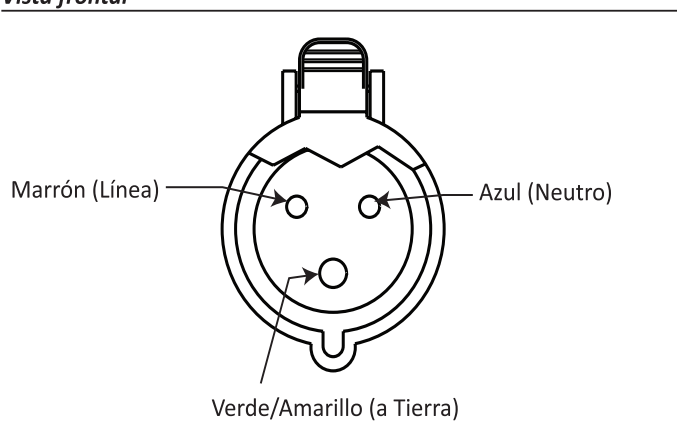
### Cableado de alimentación

El panel trasero de P-6900 AR E proporciona un conector macho IEC-309 montado. Con el P-6900 AR E se incluye un enchufe de alimentación independiente con montaje hembra IEC-309, recomendado para utilizar con un cableado de 3 x 4 mm<sup>2</sup>. Sírvase seguir los diagramas de uso a continuación.

### Vista del ensamblaje



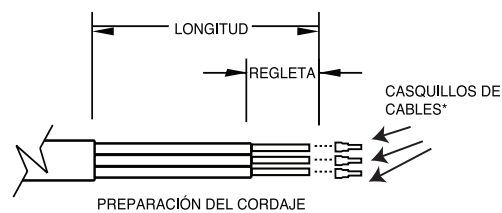
### Vista frontal



### Preparación del cable

D.E. MÁXIMO DE LA FUNDA QUE ADMITE EL TUBO PASACABLE EXTERNO = 24 mm de DIAM. (0,945")  
 D.E. MÁXIMO DE LA FUNDA QUE ADMITE EL TUBO PASACABLE INTERNO = 24 mm de DIAM. (0,945")  
 TAMAÑO MÁXIMO DEL CONDUCTOR ACEPTADO POR LOS TERMINALES = 4 mm<sup>2</sup> (Calibre 8 AWG)

PREPARACIÓN DEL CORDAJE			
CONDUCTOR COLOR DE AISLAMIENTO	CÓDIGO DE COLOR	"LONGITUD"	"REGLETA"
VERDE/AMARILLO	TIERRA	45mm	10mm
AZUL	NEUTRO	55mm	10mm
MARRÓN	LINEA	55mm	10mm



\*Furman recomienda el uso de casquillos de cables (no se incluyen) para que los cables trenzados terminen en conectores de acoplamiento.

## **Merkmale des Furman P-6900 AR E**

- **Effektiv-Spannungsregelung** - Extrem geräuscharmer mikroprozessorgesteuerter 30 A Ringkern-Stelltransformator
- Serieller Mehrstufenschutz **SMP** (Series Multi-Stage Protection) und Extrem-Überspannungsschutz **EVS** (Extreme Voltage Shutdown)
- Linearfiltertechnik **LiFT** (Linear Filtering Technology) für masseschlussfreie Geräuschkämpfung
- Neun geregelte Netzsteckdosen an der Geräterückseite
- 230 V oder 240 V Ausgang (umschaltbar)
- Abblendbares/schaltbares Effektiv-Amperemeter und laborgenaues Präzisionsvoltmeter
- Numerische Spannungsangabe mit dreifarbigem Spannungsbereichsanzeige
- USB-Anschluss an der Vorderseite zum Aufladen von tragbaren Medienspielern und Mobiltelefonen
- 30 A (6.900 W) maximale Leistung
- CEE-Eingang und 30A CEE-Steckdose einschließlich Kupplung
- Fünfjährige beschränkte Garantie

## **VORWORT**

Sie haben mit dem Erwerb eines Spannungsreglers/Spannungsaufbereiters der Prestige-Serie von Furman eine ausgezeichnete Wahl getroffen. Der Furman Prestige P-6900 AR E zeichnet sich durch automatische Effektivregelung, serielle Mehrstufen-Schutzschaltung (SMP) und unserer exklusiven Linearfiltertechnik (LiFT) aus. Das Zusammenspiel dieser Techniken liefert genau was unsere Kunden von Furman erwarten: kompromissloser Schutz und Qualität. Der P-6900 AR E wurde entwickelt, um die hohen Ansprüche von Aufnahmestudios, Rundfunkanstalten und Musikern zu übertreffen.

Der Zweck des Furman P-6900 AR E ist es, empfindliche elektronische Geräte vor Problemen zu schützen, die durch Netzstromfehler verursacht werden können: Spannungsabfälle oder Spannungsspitzen können z. B. Tonänderungen, Digitalgerätstörungen (Verlust von MIDI-Programmen oder anderer Daten) oder im Extremfall sogar Dauerschäden verursachen. Das Gerät ist in der Lage einen breiten Bereich von Wechselstrom-Eingangsspannungen aufzunehmen und in saubere, stabile Ausgangsspannungen von 230 V oder 240 V (umschaltbar) plus/minus 10 V zu konvertieren. In Abhängigkeit der Anforderungen Ihrer Geräte, können sogar Spannungen  $\pm 10\%$  außerhalb dieses Bereichs auf ein brauchbares Niveau gebracht werden. Stabile Spannung schützt Geräte und optimiert deren Leistung. Falls Sie Ihre Geräte oft an einen neuen Ort aufstellen, Stromerzeugungsaggregate oder extrem lange Verlängerungskabel benutzen, ins Ausland reisen oder häufigen Netzspannungsabfällen ausgesetzt sind, werden Sie großen Nutzen aus dem Furman P-6900 AR E ziehen.

## **BESCHREIBUNG**

### **Effektiv-Spannungsregelungstechnik**

Die Effektiv-Spannungsregelung beruht auf einem extrem geräuscharmen Ringkern-Stelltransformator mit acht Anzapfungen. Der Mikroprozessor im P-6900 AR E überwacht die eingespeiste Effektivspannung. Dabei wird für jede Periode der Phasenwinkel synchron mit der nachfolgenden Periode gemessen. Die meisten handelsüblichen Spannungsregler, die Transformatoren mit mehrfachen Anzapfungen einsetzen, schalten zu unkontrollierten Zeitpunkten zwischen den Anzapfungen um. Daraus entstehen Spannungsspitzen und Klicks, das sich in Audiosignale einschleicht. Wenn eine Spannungsschwankung vom P-6900 AR E korrigiert werden soll, wählt die Effektiv-Spannungsregelung eine neue belastungsärmere Anzapfung voraus, was eine Verzerrung der Wechselstromwellenform vermeidet. Hysteresis in den Schaltkreisen des P-6900 AR E vermeidet unnötiges Umschalten zwischen angrenzenden Anzapfungen (so genanntes "Prellen"), was bei vielen handelsüblichen Spannungsreglern vorkommt. Gegebenenfalls ist die Effektiv-Spannungsregelung in der Lage, bis zu einmal pro Periode zwischen Anzapfungen umzuschalten, und das mit einer kürzeren Regeldauer als bei handelsüblichen Spannungsreglern. Im Gegensatz zu Spannungsreglern mit ferromagnetischen Transformatoren, ist der P-6900 AR E außerdem nicht empfindlich gegen kleine Netzfrequenzschwankungen, was ideal für den Einsatz zusammen mit Notstromaggregaten ist.

*Der P-6900 AR E ist mit neun Steckdosen an der Rückseite und zwei bequem erreichbaren Steckdosen an der Vorderseite ausgestattet. Sie sind alle hinsichtlich Spannungsregulierung Schutz und Filterung untereinander austauschbar. Dennoch bestehen Unterschiede hinsichtlich der zugelassenen Stromstärke. Die beiden Steckdosen an der Vorderseite und sechs IEC 320 Steckdosen an der Rückseite haben liefern bis zu 10 A. Die zwei IEC C-19 Steckdosen liefern bis zu 16 A und die CEE-Steckdose an der Rückseite liefert maximal 30 A (Alle 11 Steckdosen liefern insgesamt jedoch nicht mehr als 30 A). Zusätzlich sorgt die Ringkernaufwicklung des Stelltransformators für eine minimale Magnetfeldstreuung.*

**Hinweis:** Der P-6900 AR E ist ausschließlich für die Benutzung mit Wechselspannung ausgelegt. Es dürfen keine Gleichspannungen angelegt werden. Außerdem wird die Netzfrequenz nicht gewandelt oder geregelt. Die Ausgangsfrequenz ist immer dieselbe wie die Eingangsfrequenz.

### **Serieller Mehrstufenschutz (SMP) und Extrem-Überspannungsschutz (EVS)**

Der mehrstufige SMP-Überlastungsschutz von Furman erspart Ihnen Kundendienstesätze und kostspielige Ausfallzeiten. Herkömmliche Überlastungsschutz-Schaltkreise opfern sich auf, wenn sie mehrfachen transienten Spannungsspitzen ausgesetzt sind, woraufhin das Gerät zerlegt und der Überlastschutz repariert werden muss. Nicht so mit dem SMP von Furman. Der SMP nimmt transiente Spannungen sicher auf, klemmt sie und leitet sie ab. Ihre angeschlossenen Geräte sind geschützt und Ihr P-6900 AR E schützt sich selber!

Einzigartig bei dem SMP von Furman ist die beispiellose Klemmspannung. Während andere Geräte Klemmspannungen von weit über 600 Vpk aufweisen, klemmt der SMP von Furman bei 375 Vpk (266 V<sub>eff</sub>) – im Test sogar bei mehrfachen Spannungstößen von 6.000 Vpk/3.000 A. Dieses Schutzniveau ohnegleichen ist nur mit der SMP-Technik von Furman möglich. Darüber hinaus bietet der verlässliche EVS-Schaltkreis von Furman Schutz gegen katastrophale Überspannungszustände (wie z. B. der allzu häufige versehentliche Anschlüsse an 300+ V<sub>~</sub> oder das Aussetzen des Nullleiters in mehrphasigen Stromnetzen), indem der Eingangsstrom abgeschaltet wird, bis der Überspannungszustand korrigiert und der Netzschalter zurückgestellt wird.

### **Linearfiltertechnik (LiFT)**

Die Linearfiltertechnik (LiFT) von Furman reduziert Netzstromleitungsrauschen auf gleichmäßige, lineare Weise über eine weite Bandbreite, was eine Verringerung des Rauschpegels bewirkt. Wechselstromaufbereiter mit herkömmlichen Filtern sind auf unrealistische Laborbedingungen ausgerichtet: Ob mehrpolige Filter oder konventioneller Reihenmodus, ältere Techniken bewirkten aufgrund der Resonanzanhebung ihrer überholten nichtlinearen Bauart vielmehr eine Beeinträchtigung als eine Verbesserung der Audio- und Videoleistung. Unter Umständen können solche Bauweisen der eingehenden Wechselstromleitung sogar mehr als 10 dB Rauschen zufügen. Darüber hinaus können übermäßige Spannungsspitzen und durch Wechselstromrauschen bedingte Massstörungen den Verlust von Digitaldaten, die Notwendigkeit von digitalen Preset-Reboots oder die Beschädigung von Digitalwandlern verursachen. Die LiFT-Technik von Furman greift das Problem anders an und sorgt durch lineares Filtern für optimale Leistung ohne Massstörungen oder Masseschluss.

### **Weitere merkmale des P-6900 AR E**

Der P-6900 AR E bietet überdies eine laborähnliche Präzisions-Digitalanzeige mit Doppelfunktion: Angabe der Eingangsspannung in 1-Volt-Schritten und der Effektiv-Stromstärke in Zehntelampere. Das Voltmeter weist eine Genauigkeit von  $\pm 2,0$  V und eine dreifarbige Spannungsbereichsanzeige auf. Hierdurch wird der Anwender darüber informiert, ob die Spannung sich innerhalb oder außerhalb des Sicherheitsbereichs befindet. Das Amperemeter liefert zur umgehenden Analyse der Systemanforderungen eine präzise Angabe der Stromaufnahme.

Der P-6900 AR E verfügt über elf geregelte Steckdosen: zwei an der Vorderseite und neun an der Rückseite. Die Steckdosengruppen an der Rückseite sind elektrisch voneinander getrennt, um Übersprechen zwischen Komponenten zu minimieren.

Die 30 A Kapazität des P-6900 AR E erfolgt über einen CEE-Anschluss mit einem Netzkabel mit Kupplung (Standard).

## **SICHERHEITSMFORMATIONEN**

Bitte lesen Sie vorliegende Anleitung sorgfältig durch, um Ihren Furman P-6900 AR E optimal auszunutzen.

### **ACHTUNG**

Schützen Sie dieses Gerät vor Nässe und Feuchtigkeit, um die Gefahr eines elektrischen Schlages zu vermeiden. Im Geräteinneren liegen gefährliche Hochspannungen vor. Die Abdeckung nicht entfernen. Wartungsarbeiten sind ausschließlich durch Fachkräfte vorzunehmen. Das pfeilförmige Blitzsymbol warnt den Anwender vor der Anwesenheit gefährlichen unisolierten Spannungen im Inneren des Gehäuses von ausreichender Stärke, um das Risiko eines elektrischen Schlages darzustellen.

### **WICHTIGE SICHERHEITSMWEISUNGEN**

(Vor der Inbetriebnahme zu lesen)

1. Bitte lesen und beachten Sie sämtliche Betriebsanweisungen vor der Inbetriebnahme Ihres P-6900 AR E. Bewahren Sie diese Anleitung für den späteren Gebrauch auf.
2. Der P-6900 AR E darf nicht in der Nähe von Wasser (z. B. Badezimmer, Küche, Waschraum, feuchter Keller, Schwimmbad) eingesetzt werden.
3. Der P-6900 AR E darf nicht in der Nähe von Hitzequellen (z. B. Heizkörper, Heizluftauslass, Ofen und andere Heizgeräte) aufgestellt werden.
4. Netzkabel und andere Leitungen so verlegen, dass sie keinem Fußgängerverkehr und anderen Belastungen ausgesetzt sind. Achten Sie auf den Zustand der Kabel und Stecker an den Ausgangsbuchsen des Furman-Spannungsreglers. Ersetzen Sie beschädigte

Kabel umgehend, um Brand- und Verletzungsgefahr zu vermeiden.

5. Den P-6900 AR E lediglich mit einem feuchten Tuch reinigen. Keine Lösungs- und Scheuermittel verwenden. Niemals Flüssigkeiten auf oder in das Gerät gießen.

6. Diese Maßeinheit wird nicht Bratenfett ausgesetzt, oder das Spritzen der Flüssigkeiten und keiner Gegenstände, die mit Flüssigkeiten gefüllt werden, wird auf den Apparat gesetzt.

7. Diese Maßeinheit wird an einen MAIN-Einfaßungsanschluß mit einem schützenden Erdungsanschluß angeschlossen.

8. Der P-6900 AR E muss in folgenden Fällen von Kundendienstpersonal gewartet werden:

- Das Netzkabel oder der Netzstecker wurden durchgescheuert, geknickt oder durchgeschnitten.
- Fremdkörper oder Flüssigkeiten sind in das Geräteinnere gelangt.
- Das Gerät wurde Regen oder extrem hoher Feuchtigkeit ausgesetzt.
- Das Gerät scheint nicht normal zu funktionieren.
- Die Anzeige "Protection OK" leuchtet nicht.
- Das Gerät wurde fallen gelassen oder das Gehäuse beschädigt.

9. Der P-6900 AR E darf über die Beschreibungen in vorliegender Anleitung hinaus nicht vom Anwender gewartet werden. Sämtliche nicht aufgeführten Wartungsarbeiten sind dem Kundendienstpersonal zu überlassen.

10. Der P-6900 AR E sollte am besten an eine geerdete Netzsteckdose angeschlossen werden. Obschon es für die Funktion des Geräts nicht unabdingbar ist, hilft dies bei Störungen angeschlossener Komponenten die Gefahr eines elektrischen Schlags zu vermeiden.

## INSTALLATION

Die Ringkern-Stelltransformatorausführung des Furman P-6900 AR E ermöglicht es Ihnen, diesen in der Nähe anderer Geräte aufzustellen ohne große Gefahr, dass diese durch ein starkes 50/60 Hz Magnetfeld gestört werden. (Die besten Resultate werden mit 50 Hz erzielt.) In einem Schaltschrank ist nach Möglichkeit entweder die oberste oder unterste Ebene vorzuziehen.

Wie bei Schaltschrankeinbaugeräten üblich, sollten für die Montage in den Gewindebohrungen des Schaltschranks Sechskantschrauben der Größe 10-32 (englisches Maß) verwendet werden. Schrauben der Größe 10-24 mögen zwar zwangseingepasst werden, jedoch nicht ohne das Gewinde zu beschädigen. Um die Frontabdeckung nicht zu beschädigen, sollten Kunststoffscheiben unter die Schraubenköpfe eingesetzt werden.

### **Gestelleinbau:**

Wenn Sie den P-6900 AR E in ein Gestell mit Montageschienen sowohl vorne als auch hinten einbauen möchten, sollten Sie es am hinteren Ende ihres Gestells einbauen. Lösen Sie einfach die Sicherungsschrauben an den Seiten und an der Vorderseite des hinteren Rack-Ear und der Verstärkungsplatte an beiden Gehäuseseiten des P-6900 AR E. Drehen Sie diese um und befestigen Sie diese am Gehäuse des P-6900 AR E. (Sehen Sie Abbildung 1.a, Seite 34)

## BEDIENUNG

### **Spannungsvorwähler-Schalter:**

Der Spannungsvorwählerschalter wird nur durch den Regler während der Energie oben gelesen. Sobald der Regler aktiv ist, hat dieser Schalter keinen Effekt auf der Ausgangsspannung. Wenn der Benutzer wünscht, die Ausgangsspannung zu ändern, justieren Sie den Schalter auf die gewünschte Einstellung und chen Sie Energie zum Regler einen Kreislauf durchma.

### **Abblendbares/schaltbares Digital-Voltmeter und Effektiv-Amperemeter:**

Das laborähnliche Präzisions-Digital-Voltmeter von Furman misst die eingehenden Wechselstromspannungen kontinuierlich mit einer typischen Toleranz von +/-1, 5V~. Bitte beachten Sie, dass die Spannungsangabe der Eingangs-Netzstromquelle entspricht.

Das Effektiv-Amperemeter von Furman misst die Gesamt-Wechselstromlast kontinuierlich mit einer typischen Toleranz von +/-0,5 A. Die Effektiv-Messtechnik sorgt ungeachtet der Lastbedingungen (kapazitive, induktive oder Wirklast) für eine präzise Stromangabe.

Zum Umschalten zwischen Volt- und Amperemeter drücken Sie die Taste "Line Voltage/Current". Zum Auf- oder Abblenden des Displays (es stehen drei Helligkeitsstufen zur Verfügung) die Taste mindestens zwei Sekunden lang gedrückt halten.

**Spannungsbereichsanzeige:**

Die dreifarbige Spannungsbereichsanzeige befindet sich in der unteren linken Ecke des Digital-Voltmeters. Wenn die Eingangsspannung bei Ausgangseinstellung 230 V innerhalb eines Erfassungsbereichs von 180–260 V liegt (190–270 V bei Ausgangseinstellung 240 V), leuchtet die Spannungsbereichsanzeige grün (optimal), was bedeutet, dass das Gerät sich im Regelbetrieb befindet. Wenn der Regler eine vorübergehende transiente Bedingung erfasst, wechselt die Anzeige (zur Warnung) auf Gelb über. Die Anzeige leuchtet gelb, wenn ungewöhnliche Änderungen oder plötzliche Umschwünge (+/-20 V) am Eingang vorliegen. Falls die Eingangsspannung außerhalb des optimalen Erfassungsbereichs liegt (siehe oben), leuchtet die Anzeige rot. Rot signalisiert, dass die Eingangsspannung zu weit vom optimalen Erfassungsbereich entfernt liegt, um eine konstante Ausgabe von 230 V (bzw. 240 V, umschaltbar) erzielen zu können. In diesem Fall regelt der P-6900 AR E weiter an der letzten Abzapfung des Stelltransformators und liefert eine Ausgangsspannung so nah wie möglich an 230 V (bzw. 240 V). (Bei Ausgangseinstellung 230 V würde beispielsweise eine Eingangsspannung von 180 V eine Ausgangsspannung von 221V ergeben.) Die rote Anzeige ist beim Einsatz des P-6900 AR E in kritischen Anwendungen, wo eine Spannung von 230 V die Hauptsorge ist, von unschätzbarem Wert.

**Ultraniederohmiger Netzschalter/Schutzschalter**

Der 6 A starke Netzschalter/Schutzschalter der Furman Prestige-Serie ist spezifisch darauf ausgelegt, den enormen Einschaltstromstößen von Leistungsverstärkern standzuhalten. Wird die maximale Effektiv-Kapazität von 6 A des P-6900 AR E überschritten, wird der Federschalter umgehend auf die Stellung "0" zurückgesetzt. Sobald das Problem behoben ist (gewöhnlich durch Ausscheiden einer Komponente) oder die Effektiv-Stromlast 30 A bzw. 6.900 W @ 230 V nicht mehr überschreitet, muss der Schalter wieder in die Stellung "1" gebracht werden.

**Gesamtkapazität (maximale und minimale Last):**

Der P-6900 AR E kann Gesamtlasten von bis zu 30 A verkraften, solange die Eingangsspannung 230 V (bzw. 240 V bei Ausgangseinstellung 240 V) nicht unterschreitet. Bei Spannungen unterhalb dieses Pegels muss die Kapazität um ca. 130 mA pro Volt zurückgestuft werden. (Siehe Grafiken auf der Rückseite.) Aus praktischen Gründen sollte daher, um für einen Netzspannungsabfall der schlimmsten Art gewappnet zu sein, die Gesamtlast unter 25 A bzw. 5.800 W gehalten werden. Bitte beachten Sie, dass es sich dabei um die Gesamtlast aller am P-6900 AR E angeschlossenen Komponenten handelt, nicht um die Last der einzelnen Geräte.

**Überspannungsanzeige "Extreme Voltage":**

Die Extrem-Überspannungsanzeige leuchtet im Normalbetrieb nicht. Die Anzeige befindet sich unmittelbar über den blauen LEDs des Voltmeters und ist im Normalfall NICHT eingeschaltet.

Die Extrem-Überspannungsanzeige signalisiert eine in der Unterhaltungs- und Rundfunkbranche gängige Gefahr: Verkabelungsfehler wie der versehentliche Anschluss an 300+ V~ anstatt den erwarteten 230 V, oder eine Nullleiterunterbrechung in einem mehrphasigen Stromnetz. Der EVS-Schaltkreis von Furman erkennt Spannungen, die zu hoch für den Normalbetrieb sind, und schaltet die Stromzufuhr ab, bevor Schäden überhaupt entstehen können.

Sobald der P-6900 AR E ans Netz gelegt wird, leuchtet die Extrem-Überspannungsanzeige rot auf, falls die Eingangsspannung den Abschaltpegel übertrifft. In diesem Fall wird den Steckdosen des P-6900 AR E kein Strom zugeführt. Falls die Spannung während des Betriebes des Geräts innerhalb des zulässigen Spannungsbereichs 275 V überschreitet, wird die Stromzufuhr an die Steckdosen abgeschaltet und die Extrem-Überspannungsanzeige eingeschaltet.

**HINWEIS:** Falls die Netzspannung den Extrem-Abschaltpegel überschreitet und den EVS-Schaltkreis dazu verursacht, die Stromzufuhr an die Steckdosen des Furman-Geräts abzuschalten, muss das Gerät manuell aus- und anschließend wieder eingeschaltet werden, um die Stromzufuhr wiederherzustellen. Vermeiden Sie es, das Gerät wieder einzuschalten, ohne zunächst die Ursache des Problems zu erkunden und gegebenenfalls die Wechselstromquelle zu ändern.

**Schutzanzeige "Protection OK":**

Obschon der SMP-Schaltkreis von Furman quasi wartungsfreien Schutz vor transienten Spannungsspitzen und -stößen bietet, können ausnahmsweise elektrische Kräfte auftreten (z. B. Blitzeinschlag im Außenbetrieb) die KEIN Überspannungsableiter in der Lage ist aufzunehmen, ohne gewisse Schäden zu erleiden. In diesem seltenen Fall leuchtet die grüne "Protection OK"-Anzeige (rechts unterhalb des Voltmeters) NICHT. Zwar bleibt dann noch ein gewisser Schutz vor Spannungsspitzen erhalten, aber die Klemmspannungspegel des Furman-Geräts sind beeinträchtigt. Das Gerät muss in diesem Fall durch Furman Sound gewartet werden.

**USB-Lader:**

Mit dem USB-Lader des Furman P-6900 AR E können beliebte elektronische Geräte, Handys und dergleichen durch einfaches Anschließen an der Vorderseite bequem aufgeladen werden.

**HINWEIS:** Aufgrund der heutigen Vielzahl von USB-Standards unterstützt unser Lader gewisse Geräte möglicherweise nicht.

**Getrennte Steckdosengruppen:**

Das Furman P-6900 AR E kennzeichnet sechs Rückwandblech IEC-320 die 10 Ampere-Anschlüsse in zwei lokalisierten Banken. Wenn Sie digitale und analoge Ausrüstung an das P-6900 AR E anschließen, wird es empfohlen, um die analoge Ausrüstung anzuschließen, „A“ und Digital Equipments zu haben, „B zu haben“ (oder umgekehrt) um elektrisches Übersprechen herabzusetzen.

**FEHLERBEHANDLUNG**

1.) Symptom: Kein Strom an den Netzsteckdosen, die Anzeige "Protection OK" leuchtet nicht.

Mögliche Ursache: Entweder liegt an der Netzsteckdose, an welcher der P-6900 AR E angeschlossen ist, kein Strom an oder der Schaltkreis des Geräts ist beschädigt.

Abhilfe: Den P-6900 AR E an eine versorgten 230 V~ Netzsteckdose anschließen. Falls das Problem fortbesteht, könnte der Schaltkreis des Geräts beschädigt sein. In diesem Fall muss das Gerät vom Kundendienst gewartet werden. (Siehe "Kundendienst" weiter unten.)

2.) Symptom: Überspannungsanzeige "Extreme Voltage" leuchtet.

Mögliche Ursache: Die Eingangsspannung übersteigt 275 V, woraufhin das Gerät die Stromzufuhr an die Steckdosen abschaltet.

Abhilfe: Beheben Sie die Linie Spannung, und schalten Sie dann den Furman Conditioner ein.

**KUNDENDIENST**

Bitte wenden Sie sich mit Fragen oder Problemen zu Ihrem Furman-Gerät an den Furman-Kundendienst per E-Mail an [info@furmansound.com](mailto:info@furmansound.com). Falls das Gerät Wartung erfordert, muss zunächst eine Rückgabeerlaubnis (RA-Nummer) beim Furman-Kundendienst angefordert werden.

Bitte sorgen Sie beim Versand dafür, dass das Gerät ausreichend gegen Beschädigungen gepolstert und verpackt, sowie versichert ist. Wir empfehlen, dass Sie für diesen Zweck die Originalverpackung aufbewahren und wieder verwenden. Bitte fügen Sie ebenfalls eine kurze Beschreibung des Problems sowie Namen, Anschrift und Telefonnummer bei. Bitte schreiben Sie die RA-Nummer gut lesbar auf die Vorderseite der Verpackung.

**BESCHRÄNKTE 5-JAHRES-GARANTIE**

**KASSENBELEG AUFBEWAHREN!** Der Kassenbon ist Ihr Kaufbeleg und die Bestätigung, dass das Gerät von einem Vertragshändler erworben wurde. Der Kassenbeleg muss für die Geltendmachung von Garantieansprüchen bei Furman eingereicht werden.

Furman, eine Marke der Panamax Inc., gewährt für den **P-6900 AR E** (ferner "das Gerät" genannt) die folgende Garantie: Furman garantiert dem ersten Käufer des Geräts für eine Dauer von fünf Jahren ab Kaufdatum, dass das verkaufte Gerät frei von Material- und Verarbeitungsfehlern ist. Falls das Gerät der vorliegenden beschränkten Garantie nicht für die oben genannte Dauer der Garantie entspricht, muss der Käufer Furman über die beanspruchten Mängel telefonisch unter 877-486-4738 oder per E-Mail an [info@furmansound.com](mailto:info@furmansound.com) informieren. Falls die Fehler solcher Art sind, dass sie durch vorliegende Garantie abgedeckt sind, wird Furman dem Käufer die Erlaubnis erteilen, das Gerät an die Furman-Zentrale zurückzugeben. Garantieansprüche MÜSSEN von einer Kopie der ursprünglichen Rechnung oder Quittung mit Angabe des Kaufdatums begleitet werden. Die Kosten für den Versand zur Furman-Zentrale müssen vom Käufer im Voraus bezahlt werden. Furman wird auf eigene Kosten ein Ersatzgerät bereitstellen oder nach eigener Wahl das fehlerhafte Gerät reparieren. Rückversandkosten an den Käufer werden von Furman übernommen.

**DURCH VORSTEHENDEN GARANTIEVEREINBARUNGEN WERDEN ALLE ANDEREN GARANTIEEN, GENANNT ODER STILLSCHWEIGEND, EINSCHLIESSLICH UNBESCHRÄNKTER STILLSCHWEIGENDER GARANTIEEN DER VERKAUFBARKEIT UND EIGNUNG FÜR BESONDERE ZWECKE AUSGESCHLOSSEN.**

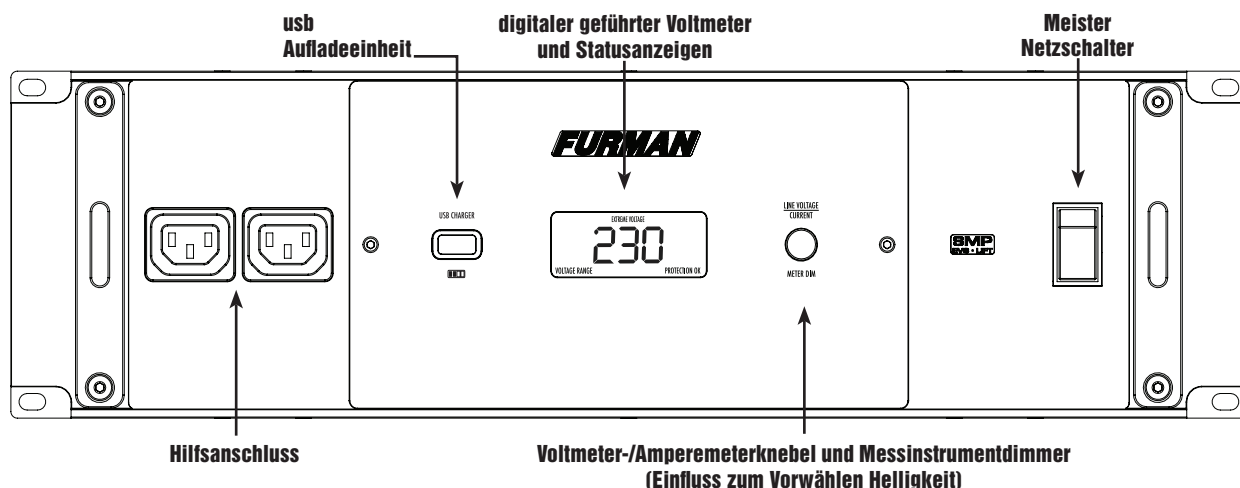
Furman übernimmt keine Gewähr für Schäden oder Defekte, die auf unsachgemäßen Gebrauch, ungewöhnliche Handhabung oder falsche Installation des Geräts zurückzuführen sind. Furman hält sich das Recht vor, diese Garantie aufzuheben, falls das Gerät in irgendwelcher Weise ohne schriftliche Genehmigung von Furman oder Panamax Inc. abgeändert wurde: Die vorliegende Garantie schließt ebenfalls solche Geräte aus, an denen Reparaturarbeiten durch andere als solche Personen abgeschlossen oder begonnen wurden, die über eine schriftliche Genehmigung von Furman oder Panamax Inc. verfügen. **DIESE GARANTIE IST EXKLUSIV.** Die alleinige und exklusive Verpflichtung von Furman besteht darin, das fehlerhafte Gerät auf die Weise und für die Dauer wie oben erwähnt zu reparieren oder zu ersetzen. Furman unterliegt keiner weiteren Verpflichtung gegenüber dem Gerät oder dessen Bestandteilen, ob aus Vertrags-, Rechtswidrigkeits-, Haftbarkeits- oder anderen Gründen. Ob aufgrund vorliegender beschränkter Garantie oder anderweitig, haftet Furman unter keinen Umständen für indirekte, besondere oder Folgeschäden. Vorliegende beschränkte Garantie legt die vollständige Verpflichtung von Furman gegenüber diesem Gerät fest. Falls ein Teil dieser beschränkten Garantie als ungültig oder ungesetzlich bestimmt wird, bleiben die übrigen Teile in Kraft.



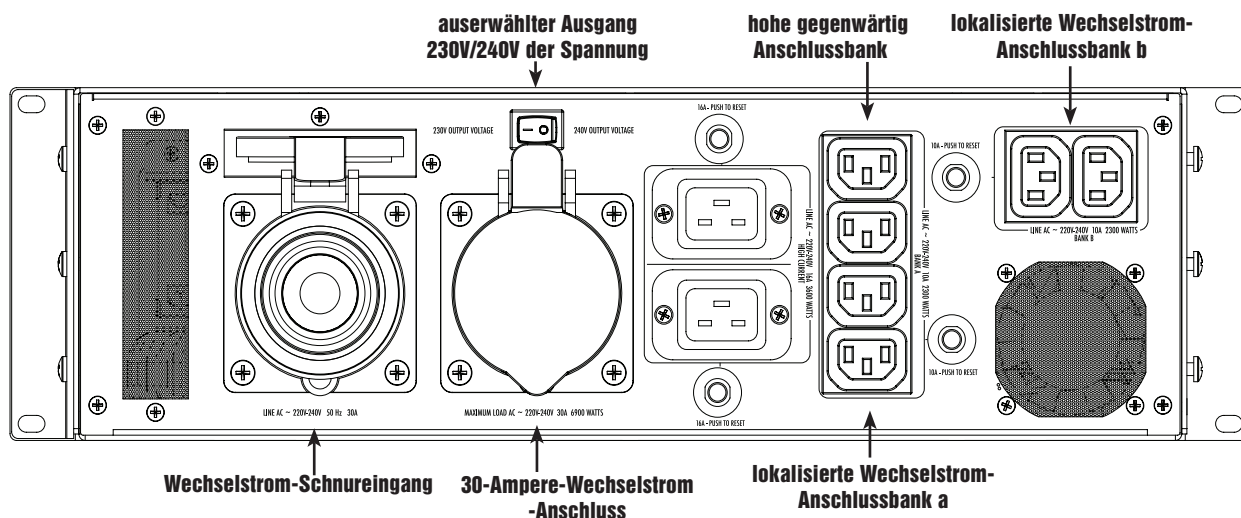
## TECHNISCHE DATEN

**MAXIMALE AUSGANGSTROMSTÄRKE:** 30 A BEI AUSGANGSEINSTELLUNG 230V ODER 30 A BEI AUSGANGSEINSTELLUNG 240 V  
**CEE-ANSCHLUSS:** AM GEHÄUSE MONTIERTER CEE-ANSCHLUSS (MIT IN DER VERPACKUNG MITGELIEFERTER CEE-KUPPLUNG)  
**STECKDOSEN:** (VORDERSEITE) ZWEI 230V 10A IEC – 320 STECKDOSEN, (RÜCKSEITE) EINE 230V 30A CEE-STRECKDOSEN, ZWEI IEC C-19 230V 16A, SECHS 230V 10A IEC 320 STECKDOSEN  
**REGELBEREICH:** 180 - 260 V~ (BEI AUSGANGSEINSTELLUNG 230 V) 50HZ, 190 - 270 V~ (BEI AUSGANGSEINSTELLUNG 240V) 50HZ  
**ÜBERSpannungSSCHUTZ:** 275 V~ SOLLWERT  
**SPANNUNGSSPITZEN-SCHUTZMODI:** LEITUNG AN NULLLEITER, OHNE MASSESTÖRUNGEN  
**SPITZEN-KLEMMSPANNUNG:** 376 V~ SPITZE (266V~) BEI 3.000 A  
**ANSPRECHZEIT:** 1 NANOSEKUNDE  
**MAXIMALE ÜBERLAST:** 6.500 A  
**GERÄUSCHDÄMPFUNG:** 10 DB BEI 10 KHZ, 30 DB BEI 100 KHZ, 50 DB BEI 500 KHZ  
**ABMESSUNGEN:** LÄNGE 483 MM (19 ZOLL) X BREITE 597 MM (23,5 ZOLL) X HÖHE 133 MM (5,25 ZOLL) (VON VORDERER GESTELLSCHIENE BIS CEE-STECKERANSCHLUSS)  
**LEISTUNGS-AUFNAHME:** 17 WATT (KEINE LAST)  
**GEWICHT:** 26 KG.  
**NENNLEISTUNG:** CE

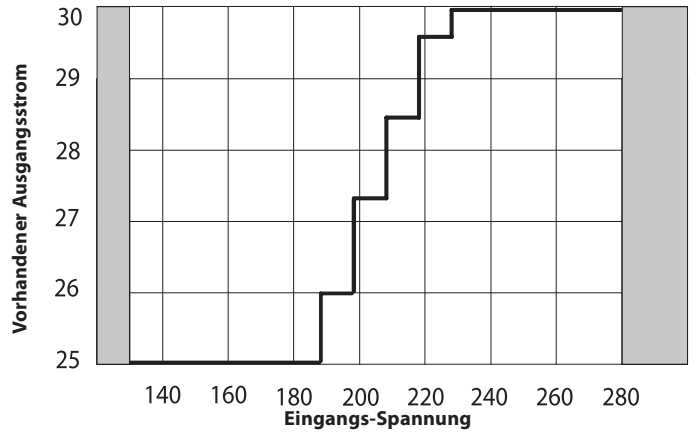
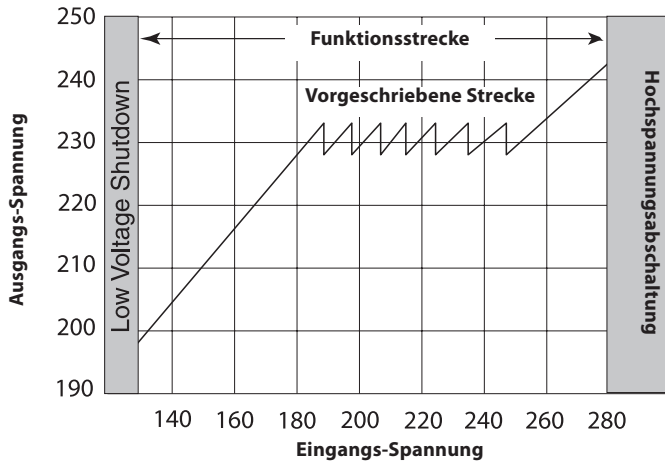
## P-6900 AR E FRONT PANEL



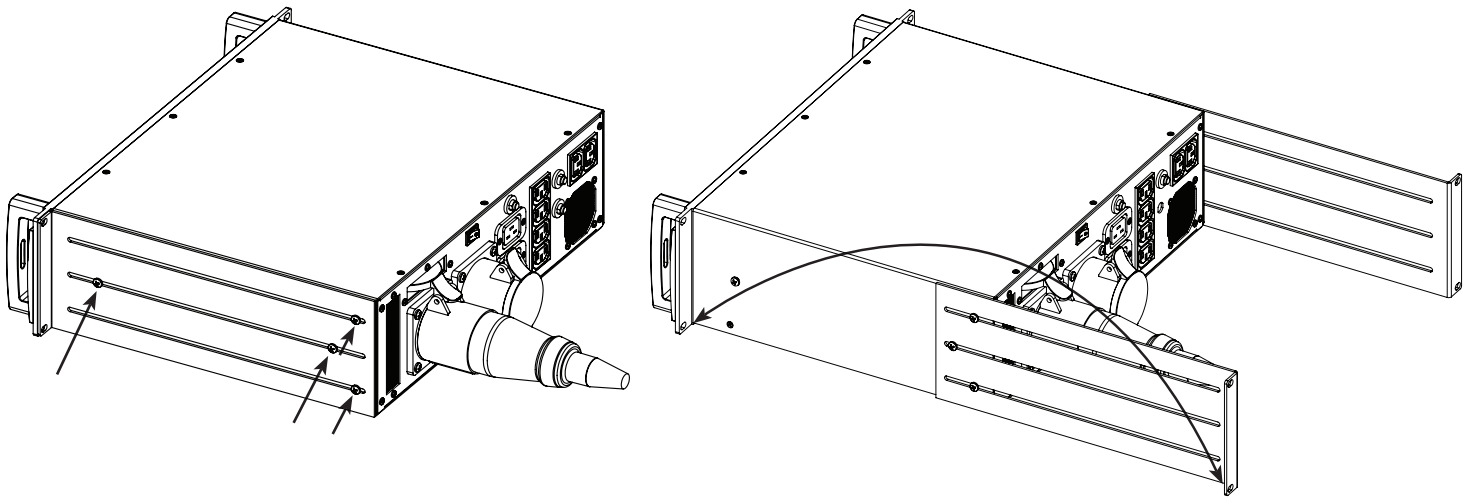
## P-6900 AR E REAR PANEL



**AR-SPANNUNGS AR-AUSGANGSSTROM-STRECKE**



**GESTELLEINBAU (Abbildung 1.a)**



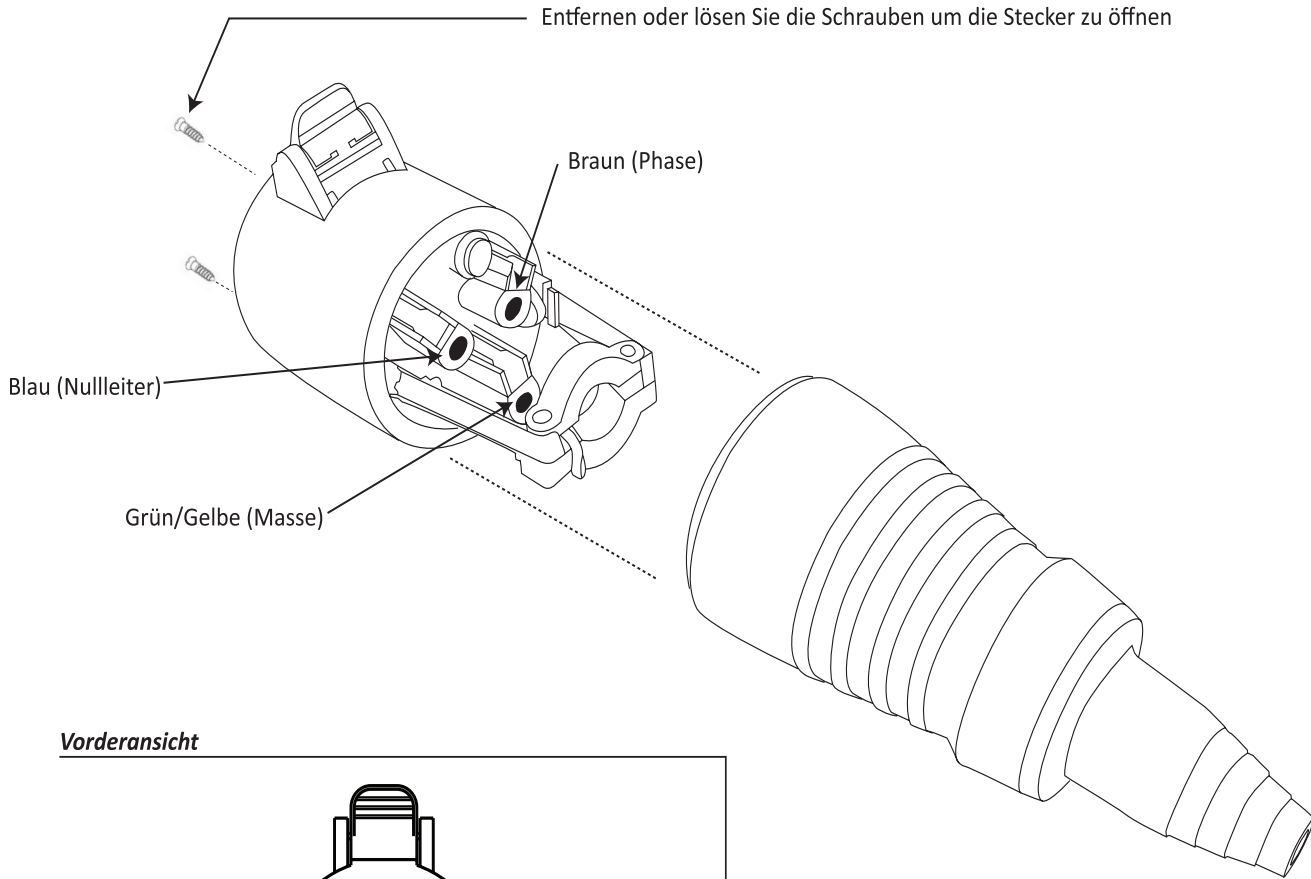
Lösen Sie einfach die Sicherungsschrauben an den Seiten und an der Vorderseite des hinteren Rack-Ear und der Verstärkungsplatte an beiden Gehäuseseiten des P-6900 AR E. Drehen Sie diese um und befestigen Sie diese am Gehäuse des P-6900 AR E (zoals hier getoond).

# IEC-309 VERBINDUNGSTÜCK

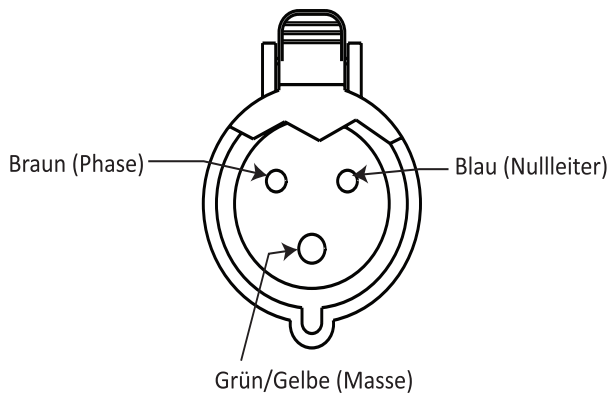
## Verdrahtung Stromversorgungskabel

Auf der Rückseite des R-6900 AR E wird ein montierter Stecker nach IEC-309-Norm mitgeliefert. Auf Ihrem P-6900 AR E wurde eine unabhängige Steckdose nach IEC-309-Norm für ein Kabel mit einem empfohlenen Querschnitt von 3 x 4 mm<sup>2</sup> montiert. Bitte beachten Sie nachfolgendes Benutzungsdiagramm.

### Montageansicht



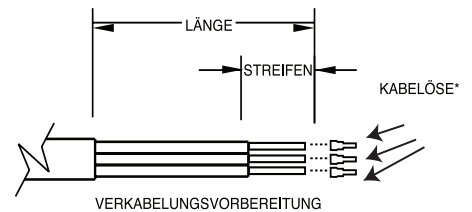
### Vorderansicht



### Kabelvorbereitung

MAXIMALER, DURCH ÄUSSERE ZUGENTLASTUNG BEDINGTER ZULÄSSIGER MANTELAUSSENDURCHMESSER = 24 mm DURCHMESSER (0,945 Zoll)  
 MAXIMALER, DURCH INNERE ZUGENTLASTUNG BEDINGTER ZULÄSSIGER MANTELINNENDURCHMESSER = 24 mm DURCHMESSER (0,945 Zoll)  
 MAXIMALER, DURCH STECKER BEDINGTER ZULÄSSIGER LEITERQUERSCHNITT = 4 mm<sup>2</sup> (8 AWG)

VERKABELUNGSVORBEREITUNG			
LEITER	FARBE DER ISOLIERUNG	„LÄNGE“	„STREIFEN“
GRÜN/GELBE	MASSE	45mm	10mm
BLAU	NULLLEITER	55mm	10mm
BRAUN	PHASE	55mm	10mm



\*Furman empfiehlt die Verwendung von Kabelösen (nicht im Lieferumfang enthalten) an den Litzenenden im Kupplungsstecker.

## Характеристики стабилизатора напряжения P-6900 AR E компании Furman

- **Стабилизация действующего напряжения** – 30-амперный сверхмалошумящий тороидальный автотрансформатор с микропроцессорным регулированием
- **SMP** (последовательная многоступенчатая защита) с системой **EVS** (отключение при предельном напряжении)
- **LiFT** (технология линейной фильтрации), исключающая проникновение помех в цепи заземления оборудования
- Девять розеток регулируемого питания на задней панели
- Выход с напряжением 220В и 240В (переключаемый)
- Цифровой амперметр и прецизионный лабораторный вольтметр для измерения действующего напряжения с возможностью регулирования яркости и переключением
- Трехцветный индикатор диапазона напряжения (дополняет числовую индикацию напряжения)
- USB-разъем на передней панели позволяет заряжать самые малогабаритные медийные устройства и сотовые телефоны
- Максимальная сила тока составляет 30А (мощность 6900 ватт)
- Штепсельный разъем типа C-form и выходной разъем на 30А (разъем на конце силового кабеля, включен в комплект)
- Ограниченная гарантия на пять лет

## ПРЕДИСЛОВИЕ

Благодарим за покупку стабилизатора напряжения/источника стабилизированного питания серии Furman Prestige Series и поздравляем с правильным выбором. Модель P-6900 AR E серии Prestige Series включает в себя автоматический стабилизатор действующего напряжения производства Furman, цепь последовательной многоступенчатой защиты (SMP) и эксклюзивную технологию линейной фильтрации (LiFT). Эти технологии соединили в себе именно то, чего ожидает от продукции Furman требовательный покупатель: безупречную защиту приборов и фильтрацию питания. При создании аппаратуры P-6900 AR E специально учитывались важнейшие требования студий записи и вещания, а также профессиональных музыкантов.

Аппаратура Furman P-6900 AR E предназначена для защиты чувствительного электронного оборудования от проблем, связанных с изменениями напряжения в сети переменного тока, таких как кратковременное отключение или резкое повышение напряжения. Такие проблемы могут вызвать изменение тональности звука, неисправность цифрового оборудования (например, потерю программ с MIDI-интерфейсом или потерю других данных) или, в самых тяжелых случаях, серьезное повреждение. Аппаратура принимает входное питание переменного тока в широком диапазоне напряжений и подает его на выход в виде стабилизированного напряжения 230В или 240В (с возможностью переключения) при отклонениях плюс-минус 10 вольт. При отклонениях напряжение в пределах  $\pm 10\%$  от номинального значения, оно может преобразовываться до необходимого уровня, в зависимости от потребностей оборудования. В результате, стабильное напряжение обеспечивает защиту и оптимальную работу оборудования. Если Вы часто переносите стойку, получаете питание от генераторов, используете слишком длинные удлинители, путешествуете по разным странам или работаете в районе, где часто отключается электричество, самым верным решением будет применение прибора Furman P-6900 AR E.

## ОПИСАНИЕ

### *Технология стабилизации действующего напряжения*

Стабилизация действующего напряжения основана на работе сверхмалошумящего тороидального автотрансформатора с восемью отводами. Микропроцессор схемы прибора P-6900 AR E отслеживает действующее значение входного напряжения в каждом периоде синусоиды и измеряет угол сдвига фазы по отношению к набегающему периоду. В большинстве стабилизаторов напряжения серийного производства, в которых используются многоотводные трансформаторы, переключение отводов не привязано ко времени. В результате возникают всплески напряжения и создаются щелчки, которые могут проникать в цепи звуковой частоты. При компенсации флуктуаций напряжения с помощью прибора P-6900 AR E, технология регулирования напряжения True RMS предусматривает включение нового отвода с меньшим перепадом, что позволяет избежать искажения формы волны переменного тока. Наличие гистерезиса в схеме P-6900 AR E позволяет избежать лишнего переключения между соседними отводами (или «треска»), что характерно для многих серийно выпускаемых стабилизаторов напряжения. При необходимости технология регулирования напряжения True RMS позволят производить переключение отводов в каждом периоде, при этом время восстановления короче, чем в стабилизаторах напряжения серийного производства. Кроме того, в отличие от стабилизаторов напряжения с феррорезонансными трансформаторами, P-6900 AR E нечувствителен к незначительным отклонениям в частоте напряжения в сети, что идеально подходит для работы от генераторов.

На задней панели P-6900 AR E размещается девять выходных розеток, на передней панели размещены две сетевые розетки общего назначения. Все они функционально взаимозаменяемы в отношении регулирования напряжения, характеристик защиты и фильтрации. Тем не менее, есть различия в силе тока, который они могут пропустить: две розетки стандарта IEC 320

на передней панели и шесть на задней позволяют снимать ток в 10 ампер; две розетки стандарта IEC C-19 рассчитаны на ток в 16 ампер; одна розетка типа C-form может обеспечить подачу тока в 30 ампер (никакие сочетания одиннадцати розеток не позволяют снять ток свыше 30 ампер). Кроме того, тороидальная конструкция автотрансформатора обеспечивает минимальное рассеяние магнитного поля.

**Примечание:** Прибор P-6900 AR E работает только от переменного тока. Категорически запрещается использовать питание постоянного тока. Кроме того, не предусмотрено изменение или регулирование частоты сетевого напряжения. Частота выходного сигнала должна всегда совпадать с входной частотой.

#### **SMP (последовательная многоступенчатая защита) с системой EVS (отключение при предельном напряжении)**

Подавитель скачков напряжения с SMP (последовательной многоступенчатой защитой) компании Furman практически устраняет необходимость в ремонтах и дорогостоящих простоях. Традиционные цепи подавления скачков напряжения жертвуют собой при всплесках напряжений переходного процесса, в результате чего необходимо демонтировать систему и ремонтировать подавитель скачков напряжения. Система SMP компании Furman свободна от таких проблем. При использовании SMP напряжения переходных процессов плавно поглощаются, отсекаются и рассеиваются. Подключенное оборудование остается защищенным, а Ваш P-6900 AR E защищает себя сам!

Уникальной особенностью системы SMP компании Furman является ее непревзойденная схема отсечки напряжения. В то время как другие системы обеспечивают отсечки пиковых значений напряжения более 600В, SMP от Furman ограничивает напряжение при пиковых значениях 375В (эффективное напряжение 266 вольт переменного тока), даже при испытаниях с многократными бросками до пиковых значений в 600В при токах в 3000 ампер. Только технология SMP компании Furman позволяет достичь такого беспрецедентного уровня. Кроме того, отлично зарекомендовавшая себя схема с использованием технологии EVS (отключение при предельном напряжении) защищает от катастрофических перенапряжений (таких как при повсеместно встречающихся случайных подключениях к сети напряжением свыше 300 вольт переменного тока или неустойчивой нейтрали при работе с несколькими фазами). Это достигается путем отключения входящего тока до устранения состояния перенапряжения и сброса выключателя питания.

#### **LiFT (технология линейной фильтрации)**

Технология линейной фильтрации (LiFT) позволяет снизить фон в сети переменного тока до равномерного линейного сигнала в очень широкой полосе частот, чем достигается более низкий уровень шума. В традиционном фильтре переменного тока источники стабилизированного питания разрабатывались исходя из нереалистичных лабораторных условий, будь то многополюсные или традиционные последовательные фильтры. Прежние технологии могли фактически не повысить, а снизить качество аудио и видеосигнала из-за резонансных всплесков, происходящих вследствие устаревшей нелинейной конструкции. При определенных условиях такие системы могли фактически добавить более 10дБ шума в питающую линию переменного тока! Что еще хуже, чрезмерные всплески напряжения и фон в сети переменного тока создают помехи в цепи заземления аппаратуры, что приводит к потере цифровых данных, необходимости в перезагрузке установленных цифровых параметров или повреждений цифровых преобразователей. В технологии LiFT использован другой подход, который обеспечивает оптимальные характеристики благодаря линейной фильтрации, исключающей проникновение шумов в цепь заземления или утечку тока в нее.

#### **Дополнительные характеристики**

В дополнение к этому, P-6900 AR E оборудован высокоточным двухфункциональным цифровым вольтметром, который показывает входное напряжение с шагом 1 вольт, а также служит амперметром действующего значения тока с точностью до десятых долей ампера. Погрешность вольтметра, снабженного трехцветным индикатором диапазона напряжения, составляет  $\pm 2,0\text{В}$ . Такая информация позволяет пользователю узнать, соответствует ли напряжение безопасному уровню. Амперметр с высокой точностью определяет уровень потребления тока с целью анализа требований системы.

Прибор P-6900 AR E оборудован одиннадцатью регулируемыми выходами: две розетки переменного тока для нагрузок общего назначения размещены на передней панели, девять выходов – на задней. Корпусы всех блоков выходных разъемов на задней панели изолированы друг от друга, что позволяет максимально снизить перекрестные помехи между ними.

Ток силой до 30А подается на прибор P-6900 AR E через входной штепсельный разъем типа C-form и включенную в комплект розетку типа C-form на конце силового кабеля (стандартный комплект).

## **SAFETY INFORMATION**

### **ТЕХНИКА БЕЗОПАСНОСТИ**

Для обеспечения наилучших результатов при эксплуатации аппаратуры Furman P-6900 AR E, перед ее использованием необходимо внимательно ознакомиться с настоящей инструкцией.

**ВНИМАНИЕ**

Для снижения риска поражения электрическим током не допускается подвергать оборудование открытому воздействию дождя или влаги. Внутри корпуса имеется высокое напряжение, представляющее опасность для человека. Не допускается снимать кожух. При необходимости ремонта обращаться только к квалифицированным специалистам. Значок молнии со стрелкой предупреждает пользователя о наличии неизолированных участков опасного напряжения внутри корпуса продукта, которое может быть достаточно высоким для возникновения риска поражения электрическим током.

**ВАЖНАЯ ИНФОРМАЦИЯ ПО ТЕХНИКЕ БЕЗОПАСНОСТИ**

(Прочитать перед установкой)

1. Прочитайте и соблюдайте все правила техники безопасности и инструкции по эксплуатации перед установкой аппаратуры P-6900 AR E. Храните эти инструкции для дальнейшего использования.
2. Запрещается использовать P-6900 AR E возле воды – например, возле ванной, умывальника, кухонной раковины, стиральной машины, в сыром подвале или возле бассейна.
3. Не размещать блок P-6900 AR E рядом с источниками тепла, такими как радиаторы, обогреватели, печи или возле иных приборов, вырабатывающих большое количество тепла.
4. Необходимо протянуть сетевой шнур и иные провода так, чтобы не наступать и не зацепиться за них, чтобы на них не давили какие-либо предметы. Особое внимание следует уделить состоянию кабелей и проводов возле вилок и в точке выхода из Вашего стабилизатора Furman. В целях предотвращения риска возгорания или травмы, необходимо немедленно заменить поврежденные провода и кабели.
5. Протирать блок P-6900 AR E только влажной тряпкой. Растворители и очистители, содержащие абразивные компоненты, не применять. Ни при каких условиях не наливать жидкость внутрь прибора.
6. Этот блок будет соединен к выходу гнезда ОСНОВ с защитным соединением.
7. Этот блок не подвергнется действию к капанию или не брызгать жидкости и никакие предметы заполненные с жидкостями будет помещен на приборе.
8. Ремонт Вашего прибора P-6900 AR E в следующих случаях может выполняться только квалифицированными специалистами:
  - Изношен, перегнулся или отрезан кабель электропитания.
  - На блок упали какие-либо предметы, или внутрь попала жидкость.
  - Блок находился под открытым дождем или под воздействием влажного воздуха.
  - Блок не работает нормально.
  - Не горит лампочка индикатора исправности защиты.
  - Блок падал, или поврежден корпус.
9. Не допускается предпринимать попытки починить блок P-6900 AR E самостоятельно, за исключением выполнения действий, описание которых представлено в настоящей инструкции. Для выполнения любых других работ по ремонту блока необходимо обратиться к квалифицированному ремонтному персоналу.
10. Настоятельно рекомендуется включать P-6900 AR E только в заземленную розетку. Хотя это не является обязательным требованием для работы данного аппарата, однако это может помочь избежать поражения электрическим током в случае если на подключенном в сеть оборудовании по каким-либо причинам возникнут неполадки.

**УСТАНОВКА**

Так как трансформатор имеет тороидальную конструкцию Furman P-6900 AR E можно установить возле другого оборудования не подвергая такое оборудование риску перебоев в работе за счет утечки мощного переменного магнитного поля частотой 50/60 Гц (для оптимальной работы рекомендуется использование частоты 50 Гц). Тем не менее, рекомендуется располагать устройство в стойке либо внизу, либо сверху.

Как и для любого оборудования, устанавливаемого в аппаратной стойке, для крепления аппарата обязательно используйте резьбовые отверстия в ней и закрепляйте блок крепежными болтами 10-32 (не метрический размер). В частности, не следует закреплять болтами 10-24, которые могут войти в отверстия с усилием, однако сорвут резьбу. Чтобы избежать царапин на

отделке передней панели, под головкой болтов устанавливаются пластиковые шайбы.

#### **Установка с задней стороны стойки:**

При установке стабилизатора P-6900 AR E в стойку, имеющую направляющие полозья как с задней, так и с передней стороны, его можно легко закрепить на задней стороне стойки. Для этого открутите крепежные винты на боковой и передней части регулируемых боковых накладок жесткости с проушиной крепления к стойке (расположенных на обеих сторонах корпуса стабилизатора P-6900 AR E), переверните эти накладки и вновь прикрепите их к корпусу. (См. диаграмму 1.а, страницу 43).

## **ЭКСПЛУАТАЦИЯ**

#### **Переключатель выбора напряжения тока:**

Переключатель выбора напряжения тока только прочитан регулятором во время силы вверх. Как только регулятор активен, этот переключатель не имеет никакой аффект на напряжении тока выхода. Если потребитель желает изменить напряжение тока выхода, то отрегулируйте переключатель к желаемой установке и задействуйте силу к регулятору.

#### **Переключаемый цифровой вольтметр с регулируемой яркостью и амперметр с использованием технологии True RMS:**

Прецизионный лабораторный цифровой вольтметр переменного тока FURMAN постоянно измеряет входящее напряжение со стандартной погрешностью в +/-1,5 вольт переменного тока.

Необходимо отметить, что показания напряжения определяются по источнику входящего переменного тока. Вольтметр действующих значений переменного тока производства Furman непрерывно измеряет общую токовую нагрузку в цепи переменного тока, при стандартной погрешности +/-0.5 А. В связи с тем, что измерительный прибор использует технологию True RMS, показания силы тока будут точными, независимо от характера нагрузки (емкостная, индуктивная или активная).

Для переключения между измерениями напряжения и силы тока используется кнопка, обозначенная как «сетевое напряжение/сила тока». Чтобы изменить яркость прибора, необходимо нажать на эту кнопку и удерживать ее в течение двух секунд для выбора одной из 3 степеней яркости.

#### **Индикатор диапазона напряжений:**

Этот трехцветный индикатор диапазона напряжений расположен в левом нижнем углу дисплея цифрового вольтметра. Когда входящее напряжение переменного тока находится в диапазоне стабилизации 180-260 В (настройка выходного напряжения 230В – 190-270 при настройке выходного напряжения 240В) трехцветный индикатор будет гореть зеленым цветом (оптимально), указывая на то, что устройство находится в режиме стабилизации напряжения. Однако если регулятор обнаружит временные переходные процессы, цвет индикатора изменится на желтый (предупреждение). Индикатор меняет цвет на желтый, когда на входе происходят слишком значительные изменения или резкие скачки напряжения (+/-20 вольт). Если входящее напряжение падает ниже оптимального диапазона стабилизации (см. выше), цвет сигнала индикатора станет красным. Красный предупреждающий сигнал указывает на то, что входящее напряжение намного отличается от оптимального и ниже диапазона измерения, при котором постоянно подается 230В (с переключением на 240В). В такой ситуации P-6900 AR E будет продолжать осуществлять стабилизацию на последнем отводе автотрансформатора, за счет чего будет обеспечиваться выходное напряжение, как можно более близкое к 230В (например, входящее напряжение 180В давало бы 221В на выходе – при настройке выходного напряжения на 230В). При применении P-6900 AR E для решения критически важных задач, когда поддержание напряжения 230В – это основное условие, роль красного индикатора невозможно переоценить.

#### **Переключатель / выключатель со сверхнизким сопротивлением:**

Переключатель / выключатель Furman Prestige Series с предельно нагрузкой 30 ампер специально предназначен для противодействия крайне высоким требованиям к силе пускового тока многих усилителей мощности. В случае превышения максимально допустимой нагрузки в 6 ампер по действующему току для устройства P-6900 AR E, пружинный переключатель сразу же перебросится в положение «0». После устранения проблемы (как правило, за счет удаления одного из компонентов) необходимо переключиться обратно в положение «1», пока действующий ток не превысил 30 ампер (6900 ватт).

#### **Общая допустимая нагрузка по току (максимальная и минимальная нагрузка):**

P-6900 AR E может работать при нагрузках до 6 ампер, если подводимое напряжение составляет величины 230 вольт и выше (или 240В при настройке выходного напряжения на 240В). При напряжениях ниже этого уровня, его допустимая нагрузка должна быть снижена до 130 миллиампер на вольт (см. графики на задней странице). В качестве практической меры, соответственно, чтобы справиться с самыми худшими вариантами в условиях снижения напряжения до минимума,

необходимо спланировать свою общую нагрузку так, чтобы она не превышала примерно 25 ампер или 5800 ватт. Обратите внимание на то, что это относится к требованию по совокупной мощности всего оборудования, которое подключено в P-6900 AR E, а не к каждому отдельному прибору.

#### **Индикатор отключения при крайне высоком напряжении:**

Как правило, светодиодный индикатор крайне высокого напряжения находится в выключенном состоянии. Он расположен на дисплее измерителя прямо над синими индикаторами вольтметров, но при обычном использовании прибора его НЕ будет видно.

{Индикатор крайне высокого напряжения контролирует состояние прибора на предмет опасностей, которые распространены в индустрии развлечений и удаленном вещании: ошибочный электромонтаж, такой как случайное подключение к сети с напряжением 300 и более вольт переменного тока вместо расчетного напряжения на входе 230 вольт переменного тока, или же обрыв нейтрали в цепях многофазного питания. Цепь Furman EVS обнаруживает такие высокие напряжения, при которых работа устройства не представляется возможной, и отключает питание, чтобы не допустить повреждений.

После того как питание подано на P-6900 AR E, индикатор крайне высокого напряжения загорится ярко-красным светом, если входящее напряжение выше критического уровня крайне высокого напряжения. В таких случаях питание не будет подаваться на выходы P-6900 AR E. Если блок работал при приемлемом входящем напряжении, а затем это напряжение превысило 275В, он отключит подачу питания на выходы, после чего загорится индикатор крайне высокого напряжения.

**ПРИМЕЧАНИЕ:** Если мощность, потребляемая от сети, выше критического напряжения, в связи с чем схема EVS прекратила подачу питания на выходы блока Furman, устройство не сможет самостоятельно возобновить подачу питания без ручного вмешательства оператора, который должен отключить блок, а затем снова включить его. Также перед включением блока снова необходимо выяснить причину проблемы, а, возможно, и поменять источник переменного тока.

#### **Индикатор исправности защиты:**

Хотя цепь Furman SMP обеспечивает практически бесперебойную работу защиты от резких скачков и выбросов напряжения, в природе иногда возникают электрические явления, которым не в силах противостоять ни одно устройство TVSS, поэтому ни одно устройство не может поглотить такое воздействие без каких-либо повреждений (например, прямое попадание молнии при установке прибора на улице.) В редких случаях, когда это все же происходит, зеленый индикатор исправности защиты (расположенный в правом нижнем углу вольтметра) не загорится. При таких обстоятельствах по-прежнему сохранится некоторая защита от бросков напряжения, однако величина номинального напряжения отсечки будет нарушена. Блок в таких случаях необходимо вернуть для ремонта в Furman.

#### **Зарядка через USB-порт:**

Зарядное устройство Furman P-6900 AR E предоставляет возможность легко перезарядить многие популярные электронные приборы, а также устройства сотовой связи, просто вставив шнур для зарядки в гнездо на передней панели. Примечание: так как в настоящий момент существует множество стандартов USB, некоторые приборы могут быть несовместимы с нашим зарядным устройством.

#### **Изолированные модули выходных розеток:**

Furman P-6900 AR E отличается 6 rear-panel IEC-320 выходы 10 Амр в 2 изолированных банках. Если вы соединяете цифровое и сетное-аналогов оборудование к P-6900 AR E, то порекомендованы, что соединяет сетное-аналогов оборудование «для того чтобы накренить а» и Digital Equipment «для того чтобы накренить b» (или vice-versa) для того чтобы уменьшить электрическую помеху.

## ПОИСК НЕИСПРАВНОСТЕЙ

1) Симптом: Не подается питание на выходы переменного тока; не горит индикатор исправности защиты.

Возможная причина: В розетке, к которой подключен ваш прибор P-6900 AR E, нет напряжения, или же повреждена схема самого блока.

Действия: Подключить P-6900 AR E к розетке переменного тока с номинальным напряжением 230 вольт. Если проблема не устранена, то, возможно, повреждена внутренняя схема, и придется отправить блок на завод-изготовитель для ремонта (см. раздел «Ремонт» ниже).

2) Симптом: Загорелся индикатор крайне высокого напряжения.

Возможная причина: Подводимое напряжение превышает 275 вольт, в связи с чем отключена подача питания на выходы устройства.



Действию: Исправьте линейное напряжение, и после этого поверните проводник Furman дальше.

## РЕМОНТ

С вопросами и проблемами по эксплуатации блока Furman необходимо обращаться в Отдел обслуживания клиентов Furman тихоокеанскому времени США или по адресу электронной почты [info@furmansound.com](mailto:info@furmansound.com). Если требуется ремонт блока, Отделом обслуживания клиентов Furman ему должен быть присвоен контрольный номер.

При передаче оборудования для выполнения ремонта, пожалуйста, убедитесь, что оно надлежащим образом упаковано, а упаковка оснащена амортизирующими прокладками для защиты его при перевозке, а также проверьте наличие страховки. Рекомендуем сохранить первоначальную упаковку и использовать ее при перевозке товара для выполнения ремонта. Также, в контейнер с товаром положите документ, в котором указаны ваши имя и фамилия, адрес, номер телефона и описание неполадки. Пожалуйста, отчетливо укажите Ваш контрольный номер возвращаемого аппарата на лицевой стороне всех упаковок.

## ОГРАНИЧЕННАЯ ГАРАНТИЯ СРОКОМ НА 5 ЛЕТ

**СОХРАНИТЕ ТОВАРНЫЙ ЧЕК!** Чек является доказательством покупки и подтверждает, что товар приобретался у Официального дилера компании Furman. При рассмотрении каких-либо гарантийных требований чек будет направляться в Furman.

Furman, торговая марка Panamax Inc., предоставляет следующую гарантию на свое изделие **P-6900 AR E** (далее - Товар): Производитель гарантирует первоначальному покупателю товара, что товар, по которому предоставляется настоящая гарантия, не будет содержать дефектов материалов или конструктивных дефектов в течение трех лет с момента покупки. В случае несоответствия товара настоящей Ограниченной Гарантии в течение гарантийного срока (указанного выше в настоящей гарантии), покупатель должен уведомить Furman о предположительных дефектах по телефону 877-486-4738 или по адресу электронной почты [techsupport@furmansound.com](mailto:techsupport@furmansound.com). На случай если по своему типу или характеристикам дефекты покрываются настоящей гарантией, Furman предоставляет покупателю право вернуть товар в центральный офис Furman. Вместе с гарантийными требованиями ДОЛЖНА представляться копия первоначального счета-фактуры или чека, выданного при покупке, в которых указана дата покупки. Стоимость доставки товара в головной офис Furman оплачивается предварительно Покупателем. Furman должен по своему выбору заменить или отремонтировать дефектный товар за свой счет. Расходы по доставке товара обратно покупателю оплачивает Furman.

### **ВЫШЕУКАЗАННЫЕ ПОЛОЖЕНИЯ ЗАМЕНЯЮТ ЛЮБЫЕ ПРЯМЫЕ ИЛИ ПОДРАЗУМЕВАЕМЫЕ ГАРАНТИИ, ВКЛЮЧАЯ, ПОМИМО ПРОЧЕГО, ПОДРАЗУМЕВАЕМЫЕ ГАРАНТИИ ТОВАРНОГО СОСТОЯНИЯ И ПРИГОДНОСТИ ДЛЯ ОПРЕДЕЛЕННОГО ПРИМЕНЕНИЯ.**

Компанией Furman не предусматривается гарантийное обслуживание при возникновении повреждений или дефектов, вытекающих из неправильного использования или обращения с товаром; повреждений или дефектов, вытекающих из неверной его установки. Производитель может отменить настоящую гарантию по своему собственному усмотрению, если товар был изменен каким-либо образом без наличия на то письменного разрешения Furman или Panamax Inc. Настоящая гарантия также не распространяется на товары, ремонт которых осуществлялся лицами, не имеющими на то специального письменного разрешения Furman или Panamax Inc, или же если такими лицами предпринимались попытки выполнить ремонт. **НАСТОЯЩАЯ ГАРАНТИЯ ЯВЛЯЕТСЯ ИСКЛЮЧИТЕЛЬНОЙ.** Единственным и исключительным обязательством Furman является ремонт или замена дефектного товара предусмотренным выше способом и в указанные выше сроки. Производитель не несет никаких иных обязательств в отношении товара или любой его части, ни по договору, ни по факту причинения ущерба, ни в рамках объективной ответственности, ни по каким-либо другим причинам. Ни при каких обстоятельствах, будь то по Ограниченной Гарантии или на иных основаниях, Furman не несет ответственности за случайные, фактические или косвенные убытки. В настоящей Ограниченной Гарантии указаны все обязательства Furman в отношении товара. В случае признания любой из частей настоящей Ограниченной Гарантии недействительной или незаконной, действие остальных ее положений остается в силе.

### ТЕХНИЧЕСКИЕ ХАРАКТЕРИСТИКИ

**МАКСИМАЛЬНЫЙ ВЫХОДНОЙ ТОК:** 30 А при напряжении 230В (настройка выходного напряжения 230В) или 30А при 240В (настройка выходного напряжения 240В)

**ВХОДНОЙ РАЗЪЕМ:** Смонтированный на шасси штепсельный разъем типа C-form (с розеткой типа C-form, высылаемой в коробке с изделием)

**РОЗЕТКИ:** (передняя панель): две розетки 230В 10А стандарта IEC – 320, (задняя панель): одна розетка 230В 30А типа C-FORM, две розетки типа IEC C-19 над 230В 16А, шесть розеток 230В 10А типа IEC 320

**ДИАПАЗОН РЕГУЛИРОВАНИЯ:** от 180 до 260В переменного тока (настройка выходного напряжения 230В); от 190 до 270В переменного тока (настройка выходного напряжения 240В)

**ОТКЛЮЧЕНИЕ ПРИ ПЕРЕНАПРЯЖЕНИИ:** 275В переменного тока (номинальное значение)

**РЕЖИМЫ ЗАЩИТЫ ОТ БРОСКОВ:** фаза-нейтраль, нулевая утечка на землю

**НАПРЯЖЕНИЕ ОТСЕЧКИ:** 375В пер. тока пиковое при токе в 3000 ампер

**ВРЕМЯ СРАБАТЫВАНИЯ:** 1 наносекунда

**МАКСИМАЛЬНЫЙ БРОСОК ТОКА:** 6500 ампер

**ПОДАВЛЕНИЕ ПОМЕХ:** 10дБ на 10кГц, 40 дБ на 100кГц, 50 дБ на 500кГц

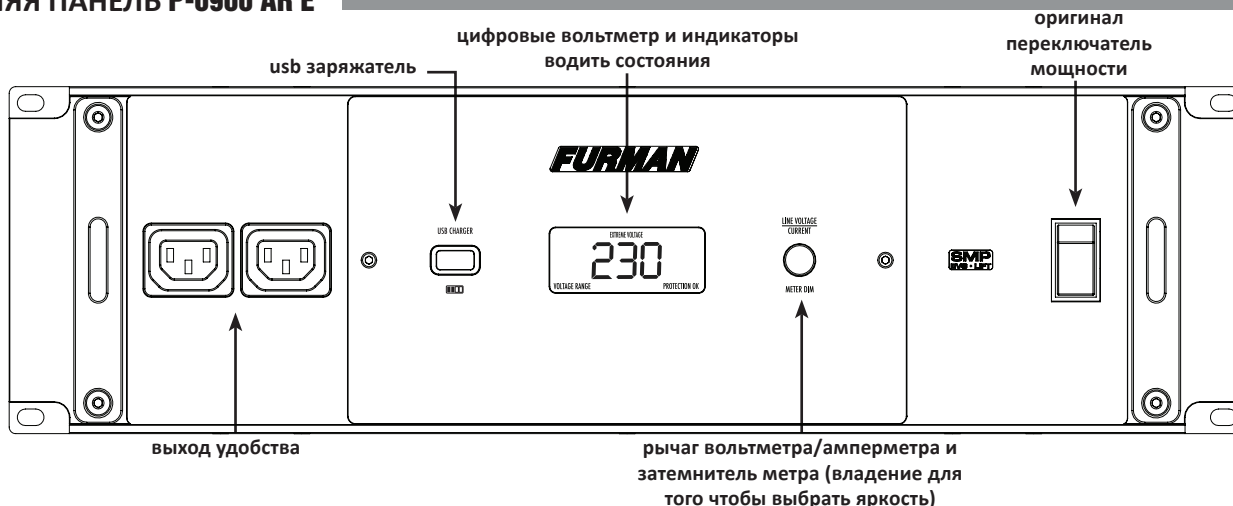
**РАЗМЕРЫ:** 483 мм (19") Ш x 597 мм Г x 133 мм (5,25") В (глубина измерена от передней направляющей стойки до штепсельного разъема типа C-form)

**МАССА:** УТОЧНЯЕТСЯ, кг (26 KG/57 LBS.)

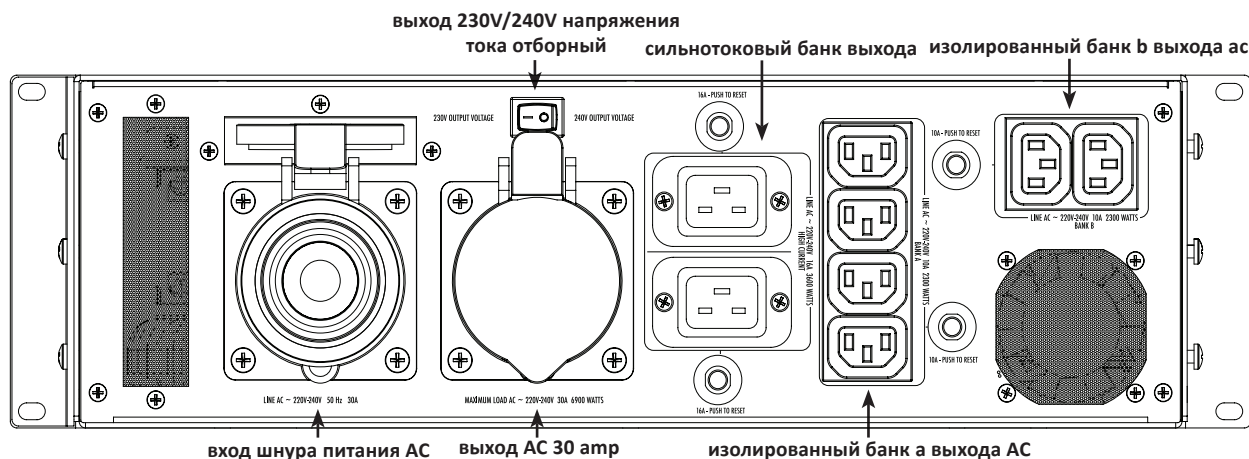
**ПОТРЕБЛЕНИЕ ЭНЕРГИИ:** 17 ВАТТ (НУЛЕВАЯ НАГРУЗКА)

**АГЕНСТВО БЕЗОПАСНОСТИ:** CE

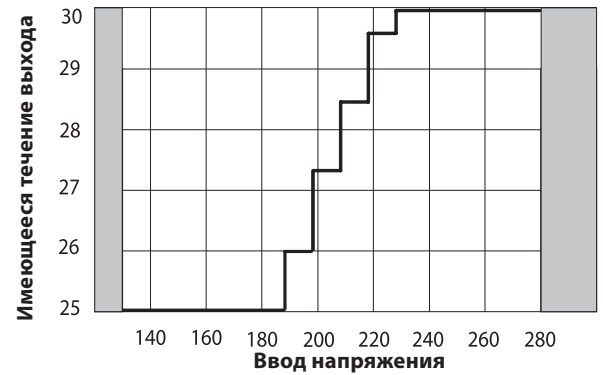
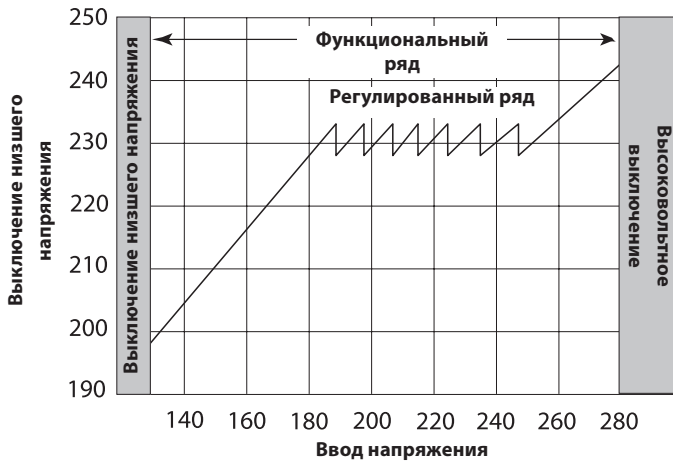
### ПЕРЕДНЯЯ ПАНЕЛЬ P-6900 AR E



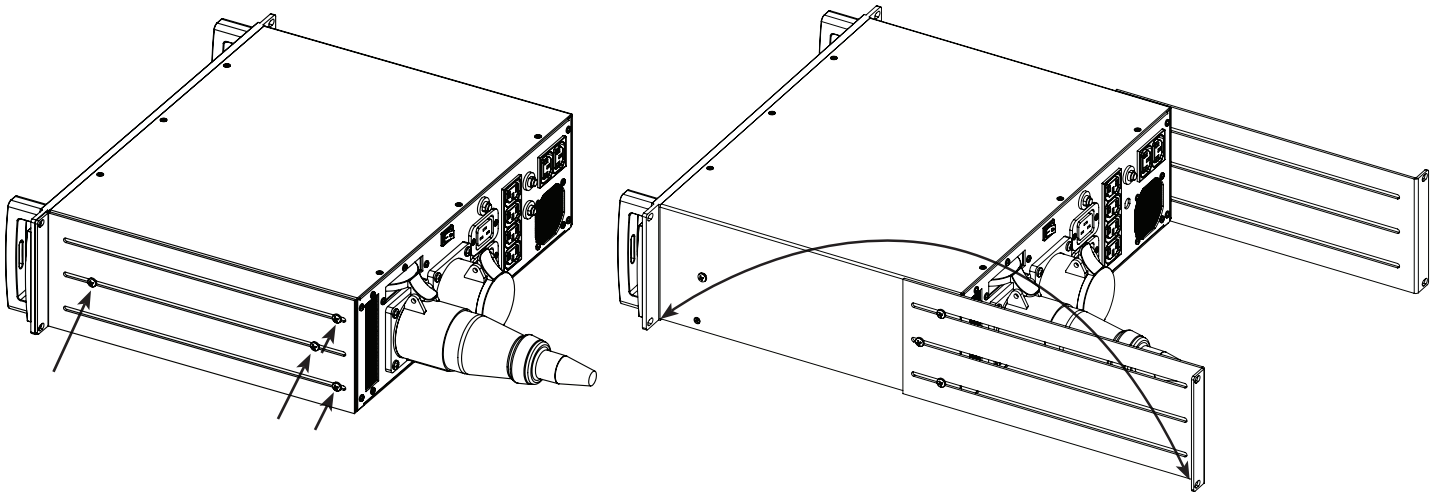
### ПАНЕЛЬ P-6900 AR E ЗАДНЯЯ



## НАПРЯЖЕНИЕ ТОКА ИМЕЮЩЕЕСЯ ТЕЧЕНИЕ ВЫХОДА



## ИМЕЮЩЕЕСЯ ТЕЧЕНИЕ ВЫХОДА



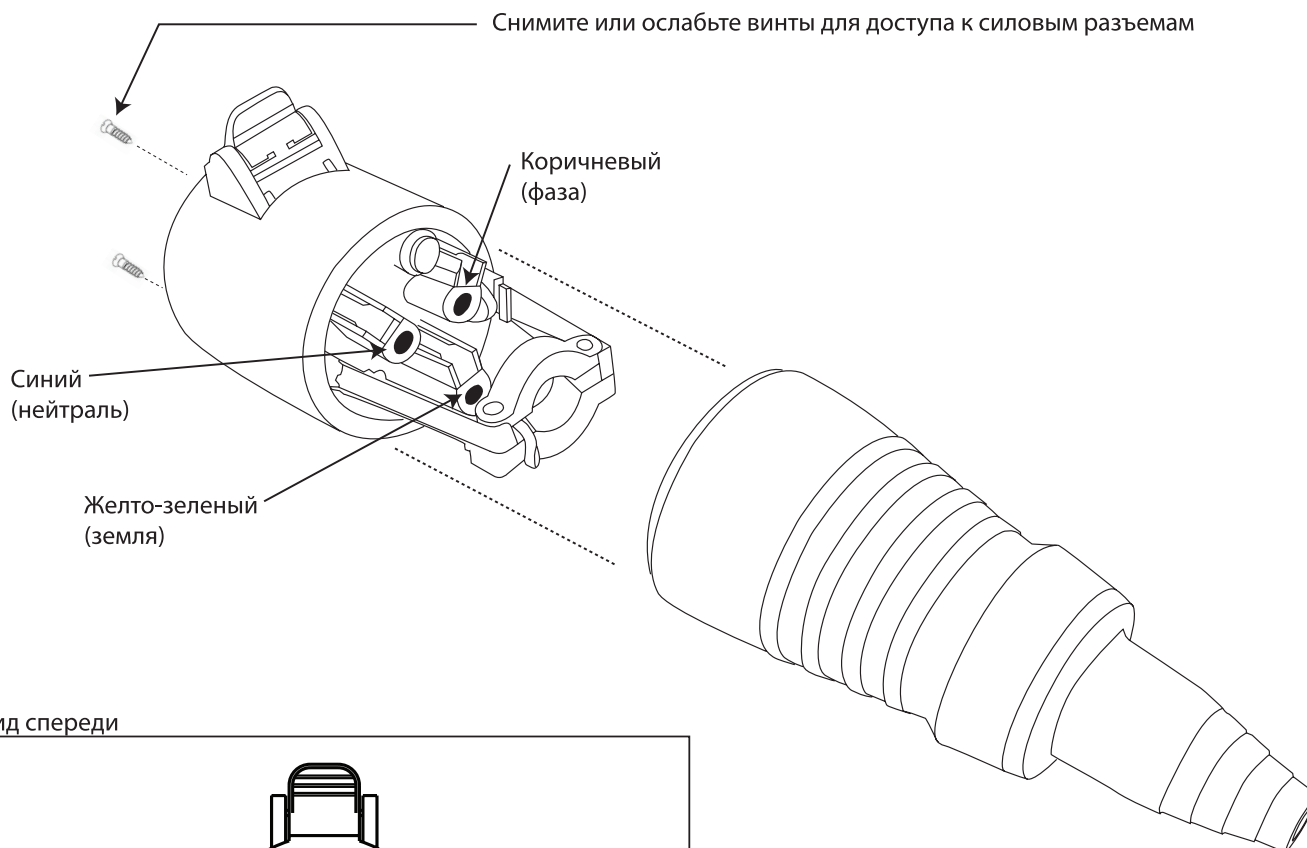
Для этого открутите крепежные винты на боковой и передней части регулируемых боковых накладок жесткости с проушиной крепления к стойке (расположенных на обеих сторонах корпуса стабилизатора P-6900 AR E). переверните эти накладки и вновь прикрепите их к корпусу (как показан здесь).

### АГРЕГАТ РАЗЪЕМА IEC-309

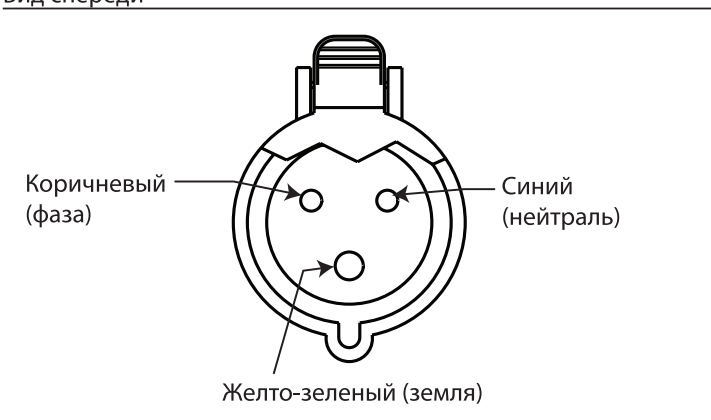
#### Подключение кабеля питания

На задней панели прибора P-6900 AR E расположена штекерная часть разъема стандарта IEC-309. В комплект поставки прибора P-6900 AR E входит отдельная розетка стандарта IEC-309 для подключения кабеля питания, она рекомендуется для подключения трехжильных силовых кабелей сечением 4 кв.мм. Пожалуйста, следуйте приведенной ниже монтажной схеме.

#### Сборочный чертеж



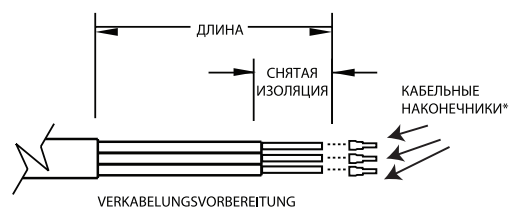
#### Вид спереди



#### Подготовка шнура питания

МАКСИМАЛЬНЫЙ НАРУЖНЫЙ ДИАМЕТР ОБОЛОЧКИ ПРИНЯТ ПО ВНЕШНЕЙ МАНЖЕТЕ ЗАЩИТЫ ОТ МЕХАНИЧЕСКИХ НАПРЯЖЕНИЙ = 24 мм в диаметре (0,945")  
 МАКСИМАЛЬНЫЙ НАРУЖНЫЙ ДИАМЕТР ОБОЛОЧКИ ПРИНЯТ ПО ВНУТРЕННЕЙ МАНЖЕТЕ ЗАЩИТЫ ОТ МЕХАНИЧЕСКИХ НАПРЯЖЕНИЙ = 24 мм в диаметре (0,945")  
 МАКСИМАЛЬНОЕ СЕЧЕНИЕ ПРОВОДНИКА ПРИМЯТО НА КЛЕММАХ = 4 кв. мм (калибр 8 по американскому сортменту проводов)

ПОДГОТОВКА КАБЕЛЯ			
ПРОВОДНИК	ЦВЕТ ИЗОЛЯЦИИ	"ДЛИНА"	"СНЯТАЯ ИЗОЛЯЦИЯ"
Желто-зеленый	земля	45mm	10mm
Синий	нейтраль	55mm	10mm
Коричневый	фаза	55mm	10mm



\* Компания Furman рекомендует использовать кабельные наконечники (в комплект не включены) для заделки проводов со снятой изоляцией на соединительном разъеме.







***FURMAN***<sup>®</sup>

1690 Corporate Circle • Petaluma, California, USA 94954

Phone: 877-486-4738 • Fax: 707-763-1310

[www.FurmanSound.com](http://www.FurmanSound.com)