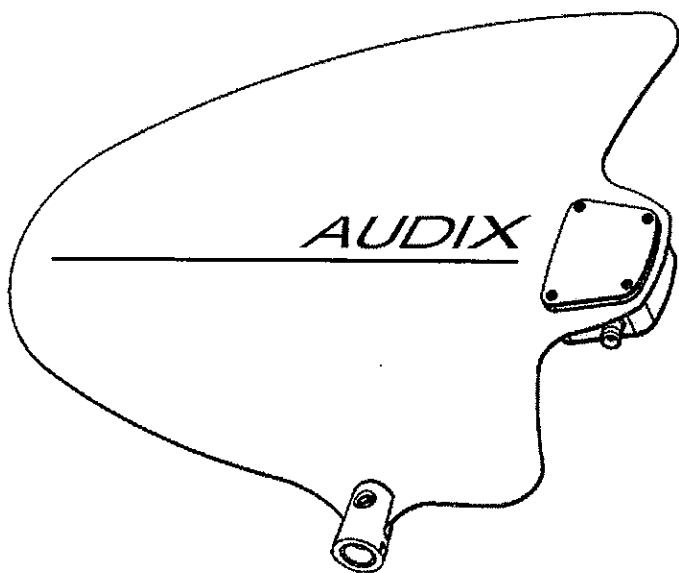


ANT-DA360

Active UHF Directional Antenna

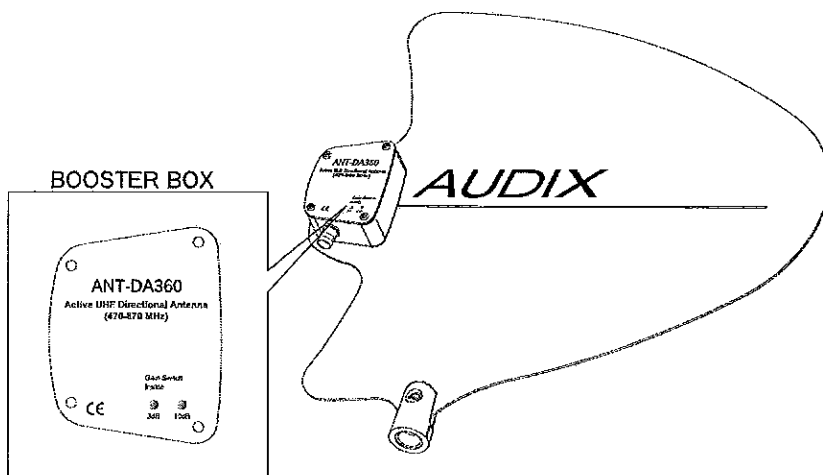
Owners Manual



PRODUCT DESCRIPTION

The ANT-DA360 is an active remote antenna for use with the RAD360 wireless receiver. It offers a selection of two booster stages to compensate for signal loss caused by long cable runs.

For best results, use 75 ohm shielded cable with BNC connectors.



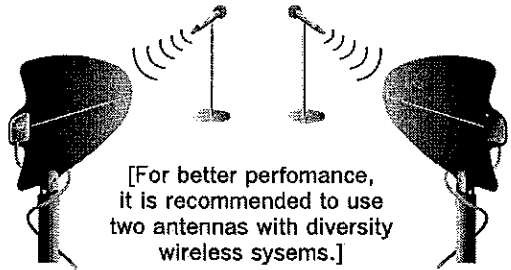
Gain-Switch 3dB/10dB inside.

SPECIFICATIONS

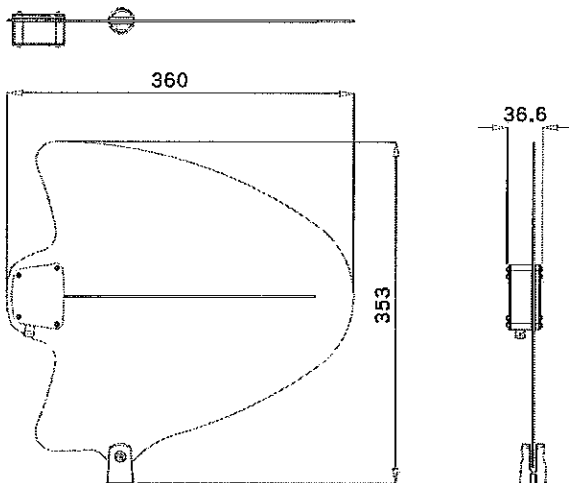
Frequency Band:	470~870 MHz
Antenna Gain:	>10 dB
Booster Gain:	3 dB/ 10dB selectable
Booster Gain LED Indicator:	3 dB: Green / 10 dB: Red
Effective Working Angle:	100 degrees
Connector:	Female, BNC type
Net Weight:	400 g

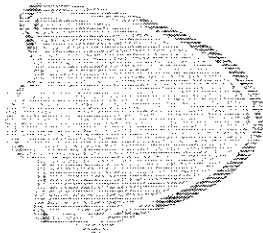
INSTALLATION

1. On the Antenna booster box, select gain position according to cable length:
3 dB : 15 meters max
10 dB: 50 meters max
2. Mount the antenna system onto a mic stand. For permanent install, system may be hung from the ceiling.
3. Connect one end of the antenna cable (BNC connector) to the antenna booster input.
4. Connect other end of antenna cable to the wireless receiver or antenna distribution system.
5. The LED will light up when the power is supplied.



DIMENSIONS (MM)





Active UHF Directional Antenna
ANT-DA360

AUDIX[®]
MICROPHONES